

RESTRICTION CAPS & DEBRIS COVERS

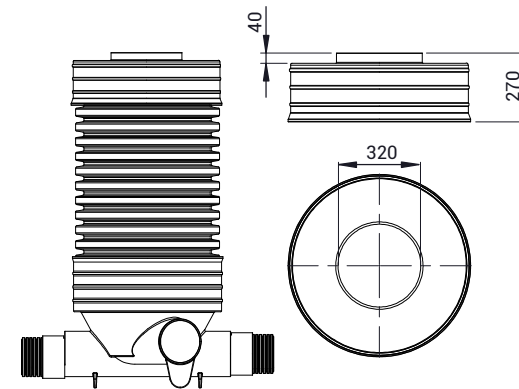
NEW DESIGN & CONSTRUCTION GUIDANCE (DCG), HAS NOW EFFECTIVELY SUPERCEDED SFA7 (SEWERS FOR ADOPTION 7).

DCG STATES THAT ACCESS MUST BE RESTRICTED TO A MAXIMUM OF 350MM, ON ANY TYPE D OR E INSPECTION CHAMBER, DEEPER THAN 1000MM FROM COVER LEVEL TO SOFFIT OF PIPE.

OUR 600RCC - RESTRICTION CAP IS DESIGNED TO FIT OVER THE ACCESS SHAFT AND PROVIDE A Ø320MM ACCESS. ALTERNATIVELY CHAMBERS CAN BE SUPPLIED WITH OUR REDUCTION CAP - 600450RC, AS DETAILED BELOW. THIS ACCOMMODATES EITHER OF THE TWO ACCESS COVERS - SQUARE SECTION 450ACSRA OR CIRCULAR 450ACCRA. BOTH HAVE THE REQUIRED RESTRICTED ACCESS TO Ø350MM AND THE LOADINGS ON BOTH COVERS IS A15 RATED.

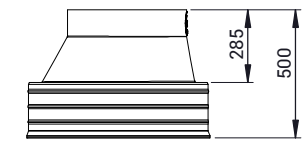
RESTRICTION CAP

PRODUCT CODE:
600RCC

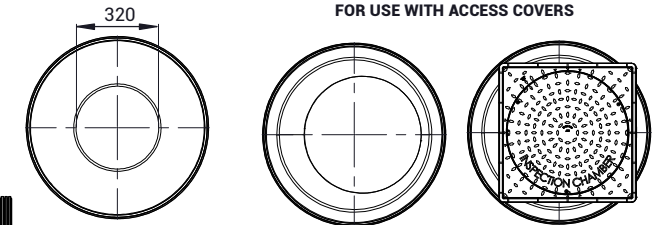


REDUCTION CAP

PRODUCT CODE:
600450RC



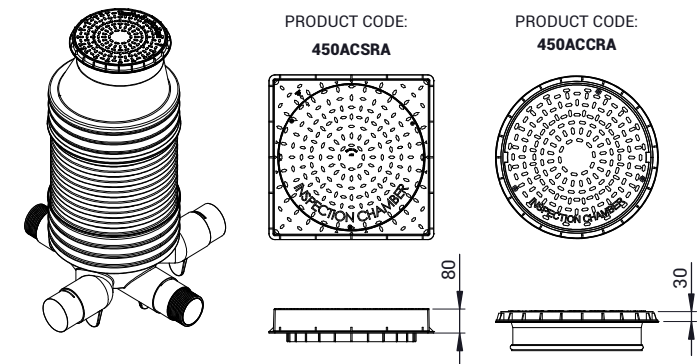
FOR USE WITH ACCESS COVERS



ACCESS COVER OPTIONS

PRODUCT CODE:
450ACSRA

PRODUCT CODE:
450ACCRA



PRODUCT CODE	MAIN CHANNEL PIPEWORK Ø (mm)	OPTIONAL SIDE INLETS (mm)	OVERALL DEPTH A (mm)	DIMENSION B (mm)	DIMENSION C (mm)	APPROX. WEIGHT (kg)
AIC600150B (Base Only)	150 twinwall	2 x 150 twinwall	580	505	355	10
AIC600150B/1	150 twinwall	2 x 150 twinwall	990	915	765	26
AIC600150B/1.5	150 twinwall	2 x 150 twinwall	1510	1435	1285	35
AIC600150B/2	150 twinwall	2 x 150 twinwall	1965	1890	1740	43
AIC600150B/2.4	150 twinwall	2 x 150 twinwall	2355	2280	2130	50

PROPRIETARY & CONFIDENTIAL

THE INFORMATION CONTAINED IN THIS DRAWING IS THE SOLE PROPERTY OF TURTLE ENVIRO DRAINNOVATION ANY REPRODUCTION IN PART OR AS A WHOLE WITHOUT THE WRITTEN PERMISSION OF TURTLE ENVIRO IS PROHIBITED.



ACCESSO
Inspection chambers

DRAWN BY A.T	CONTRACT
DRAWN DATE 01/07/2021	
APPROVED BY D.A	PRODUCT DESCRIPTION BLUE RANGE - 600 SERIES
APPROVED DATE 01/07/2021	PRODUCT/CODE AIC600150B
SCALE:	SHEET/SIZE A3
REV:	1