

PRODUCT CODE	MAIN CHANNEL PIPEWORK Ø (mm)	OPTIONAL SIDE INLETS (mm)	OVERALL DEPTH A (mm)	DIMENSION B (mm)	DIMENSION C (mm)	APPROX. WEIGHT (Kg)
AIC600300B (Base Only)	300 twinwall	2 x 225 twinwall	670	590	360	14
AIC600300B/1	300 twinwall	2 x 225 twinwall	1115	1022	717	32
AIC600300B/1.5	300 twinwall	2 x 225 twinwall	1595	1502	1197	41
AIC600300B/2	300 twinwall	2 x 225 twinwall	1985	1892	1587	49
AIC600300B/2.4	300 twinwall	2 x 225 twinwall	2375	2282	1977	57

RESTRICTION CAPS & DEBRIS COVERS

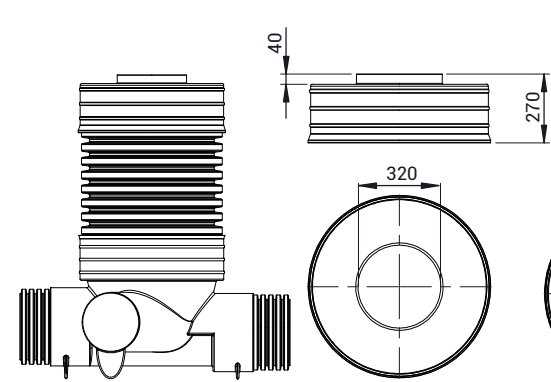
NEW DESIGN & CONSTRUCTION GUIDANCE (DCG), HAS NOW EFFECTIVELY SUPERCEDED SFA7 (SEWERS FOR ADOPTION 7).

DCG STATES THAT ACCESS MUST BE RESTRICTED TO A MAXIMUM OF 350MM, ON ANY TYPE D OR E INSPECTION CHAMBER, DEEPER THAN 1000MM FROM COVER LEVEL TO SOFFIT OF PIPE.

OUR 600RCC - RESTRICTION CAP IS DESIGNED TO FIT OVER THE ACCESS SHAFT AND PROVIDE A Ø320MM ACCESS. ALTERNATIVELY CHAMBERS CAN BE SUPPLIED WITH OUR REDUCTION CAP - 600450RC, AS DETAILED BELOW. THIS ACCOMMODATES EITHER OF THE TWO ACCESS COVERS - SQUARE SECTION 450ACSRA OR CIRCULAR 450ACCRA. BOTH HAVE THE REQUIRED RESTRICTED ACCESS TO Ø350MM AND THE LOADINGS ON BOTH COVERS IS A15 RATED.

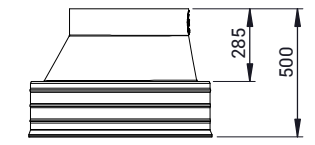
RESTRICTION CAP

PRODUCT CODE: **600RCC**

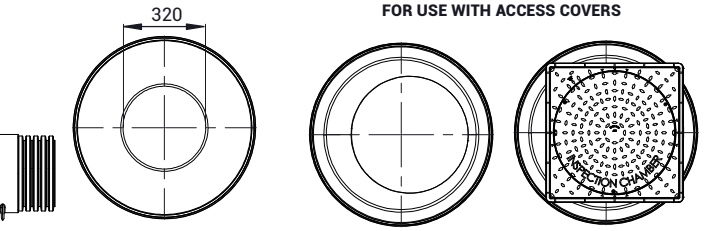


REDUCTION CAP

PRODUCT CODE: **600450RC**



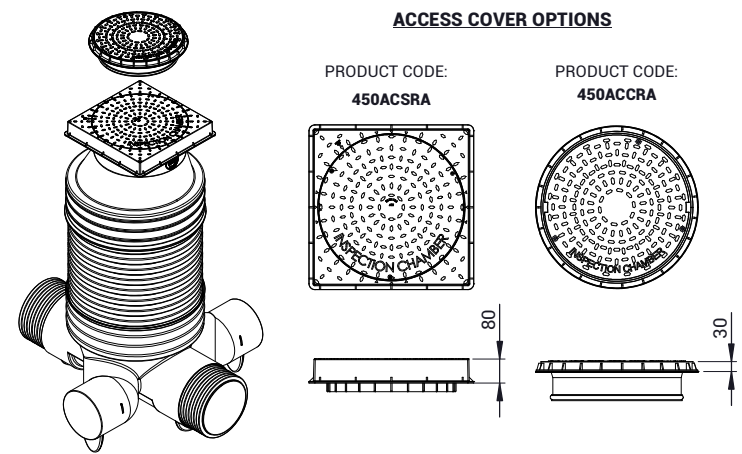
FOR USE WITH ACCESS COVERS



ACCESS COVER OPTIONS

PRODUCT CODE: **450ACSRA**

PRODUCT CODE: **450ACCRA**



PROPRIETARY & CONFIDENTIAL

THE INFORMATION CONTAINED IN THIS DRAWING IS THE SOLE PROPERTY OF TURTLE ENVIRO DRAINNOVATION ANY REPRODUCTION IN PART OR AS A WHOLE WITHOUT THE WRITTEN PERMISSION OF TURTLE ENVIRO IS PROHIBITED.



DRAWN BY A.T	CONTRACT
DRAWN DATE 05/07/2021	
APPROVED BY D.A	PRODUCT DESCRIPTION BLUE RANGE - 600 SERIES
APPROVED DATE 05/07/2021	PRODUCT/CODE AIC600300B
SCALE:	SHEET/SIZE A3
REV:	1