

RESTRICTION CAP
PRODUCT CODE:
450RCC

RESTRICTION CAPS & DEBRIS COVERS

NEW DESIGN & CONSTRUCTION GUIDANCE (DCG), HAS NOW EFFECTIVELY SUPERCEDED Sfa7 (SEWERS FOR ADOPTION 7).

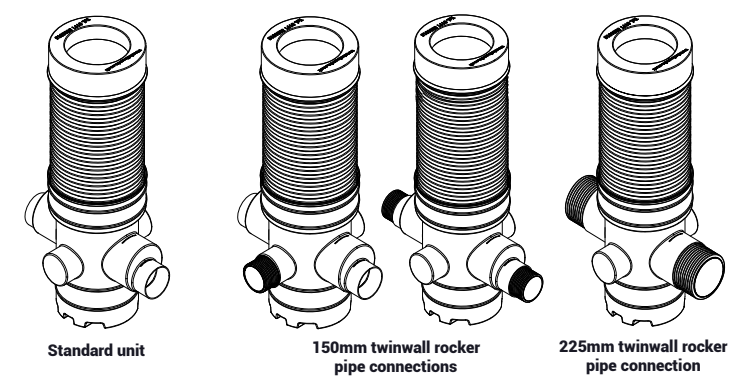
DCG STATES THAT ACCESS MUST BE RESTRICTED TO A MAXIMUM OF 350MM, ON ANY TYPE D OR E INSPECTION CHAMBER, DEEPER THAN 1000MM FROM COVER LEVEL TO SOFFIT OF PIPE.

OUR 450RCC - RESTRICTION CAP IS DESIGNED TO FIT OVER THE ACCESS SHAFT AND PROVIDE A Ø350MM ACCESS.

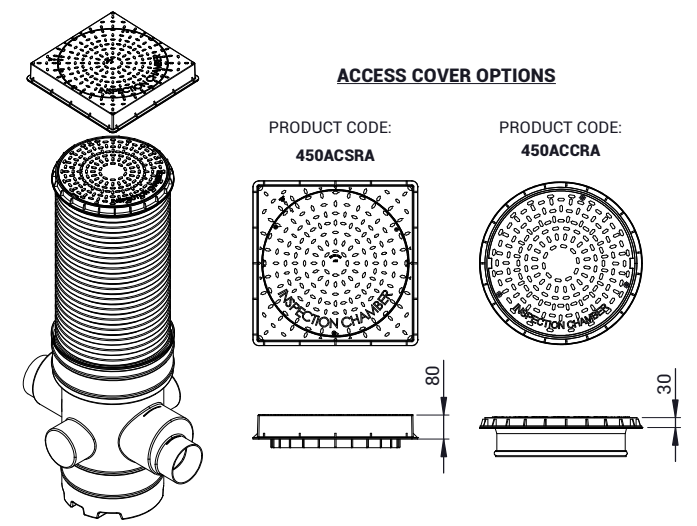
ALTERNATIVELY CHAMBERS CAN BE SUPPLIED WITH EITHER OF THE TWO ACCESS COVERS - SQUARE SECTION **450ACSRA** OR CIRCULAR **450ACCRA**. BOTH FIT DIRECTLY INTO THE CHAMBER ACCESS SHAFT AND HAVE THE REQUIRED RESTRICTED ACCESS OF Ø350MM.

THE LOADINGS ON BOTH COVERS IS A15 RATED.

PIPEWORK OPTIONS



ACCESS COVER OPTIONS



PRODUCT CODE	MAIN CHANNEL PIPEWORK Ø (mm)	OPTIONAL SIDE INLETS (mm)	OVERALL DEPTH A (mm)	DIMENSION B (mm)	DIMENSION C (mm)	APPROX. WEIGHT (kg)
AICCP450225150B (Base Only)	150 or 225	150	850	550	325	10.5
AICCP450225150B/1	150 or 225	150	1077	777	552	17
AICCP450225150B/1.5	150 or 225	150	1489	1189	964	21.5
AICCP450225150B/2	150 or 225	150	2000	1700	1475	27
AICCP450225150B/2.4	150 or 225	150	2370	2070	1845	32

PROPRIETARY & CONFIDENTIAL
THE INFORMATION CONTAINED IN THIS DRAWING IS THE SOLE PROPERTY OF TURTLE ENVIRO DRAINNOVATION ANY REPRODUCTION IN PART OR AS A WHOLE WITHOUT THE WRITTEN PERMISSION OF TURTLE ENVIRO IS PROHIBITED.



DRAWN BY A.T	CONTRACT
DRAWN DATE 03/09/2021	
APPROVED BY D.A	PRODUCT DESCRIPTION BLUE RANGE - 450 SERIES
APPROVED DATE 04/09/2021	PRODUCT/CODE AICCP450225150B
SCALE:	SHEET/SIZE A3
REV:	1