

Kitchen Garden Trough

IMPORTANT, RETAIN FOR FUTURE REFERENCE: READ CAREFULLY.

Check all parts are present prior to assembly.

- Always pre-drill timber to avoid splitting.
- The timber in this product is pressure treated to ensure longevity and protection against rot. This may leave colour variations, but these will even out as the moisture content stabilises.
- Timber is a natural material and will shrink and swell as a result of varying moisture content.
- Keep all plastic bags and parts away from children.
- This product must be positioned on a solid level surface.
- A minimum of two persons required for assembly.
- Once assembled regularly check all fixings are tight and secure.

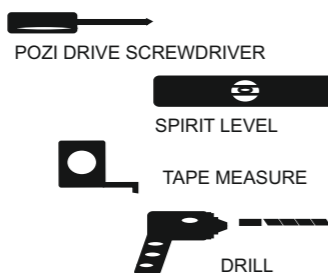
Technical Help line: 0333 7777 089 8:30am - 5.00pm Monday to Friday

In line with your statutory rights, please check all parts prior to assembly, as assembly of damaged parts may be deemed to be acceptance and this may affect the remedies you are entitled to. If the product is not constructed in accordance with the instructions, or is altered in anyway (e.g. painted), the manufacturer cannot be held liable for any resulting damage.

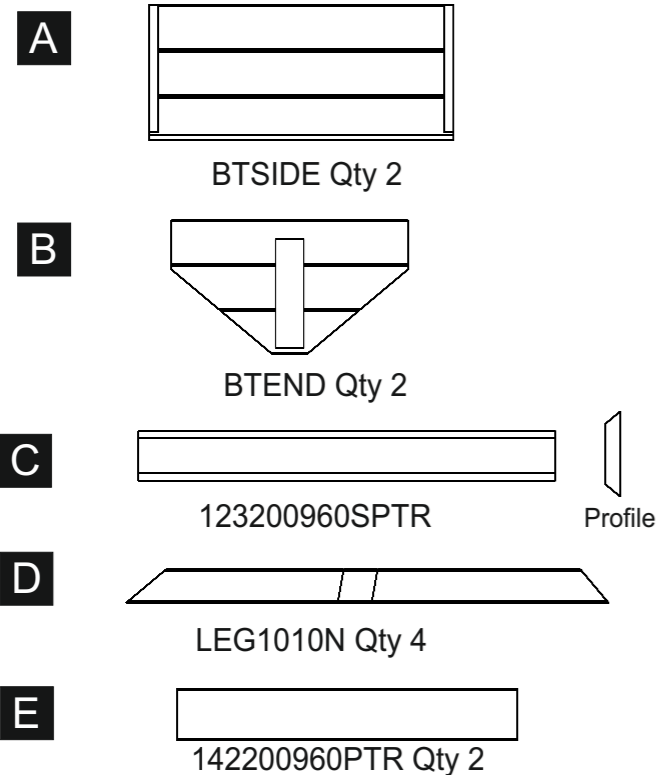
This article contains biocidal products to give protection against wood destroying insects & wood rotting fungi. Contents may vary. May contain: Basic copper carbonate (Copper (II) carbonate - Copper (II) hydroxide (1:1), Cupric oxide, Copper hydroxide carbonate, oxyethyl, ammoniumpropionate, Copper HDO, Propiconazole, Tebuconazole, Boric acid, Benzalkonium chloride. Wear gloves when handling freshly treated wood. Avoid breathing dust when cutting treated or untreated wood. Dispose of off-cuts responsibly - do not burn.



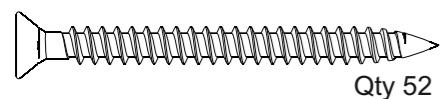
REQUIRED TOOLS : (NOT SUPPLIED)



PARTS:



(FIXING PACK) BTROUGHFP Not To Scale



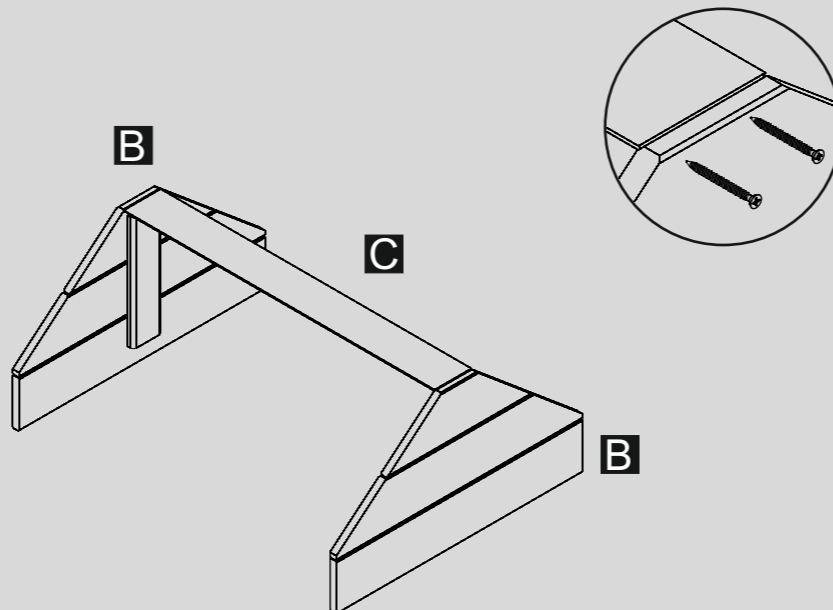
40mm

For further information



www.forestgarden.co.uk

1

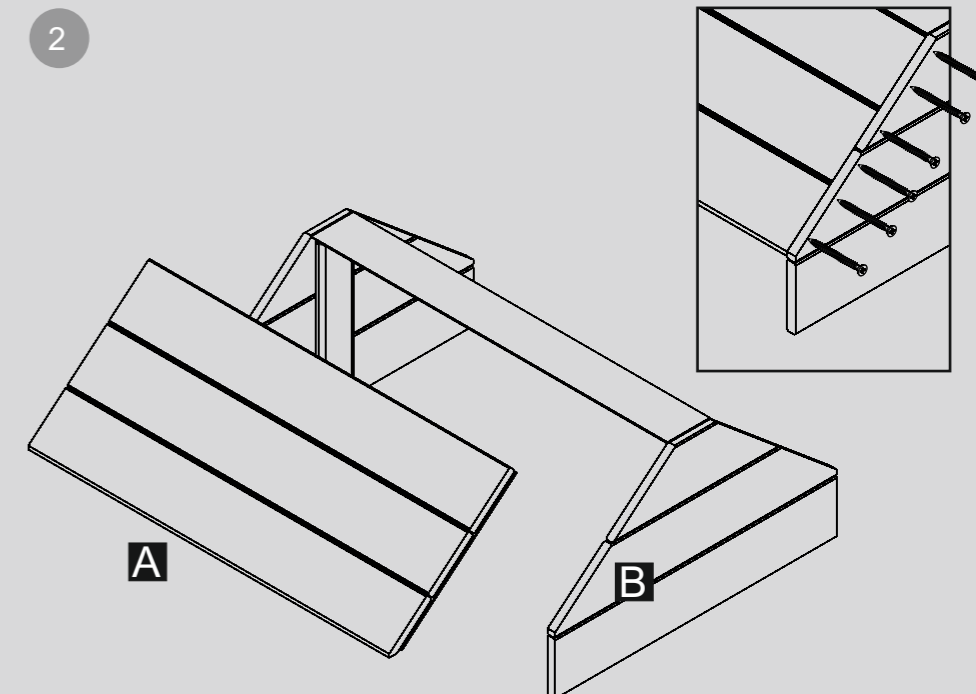


PRE - DRILL

On a flat and level surface fix the shaped board to the end sections as shown. Make sure that the board is sat on the framing and is positioned centrally before fixing.

Fix the board in place screwing through the end sections using 2 x 40mm screws for each as shown.

2

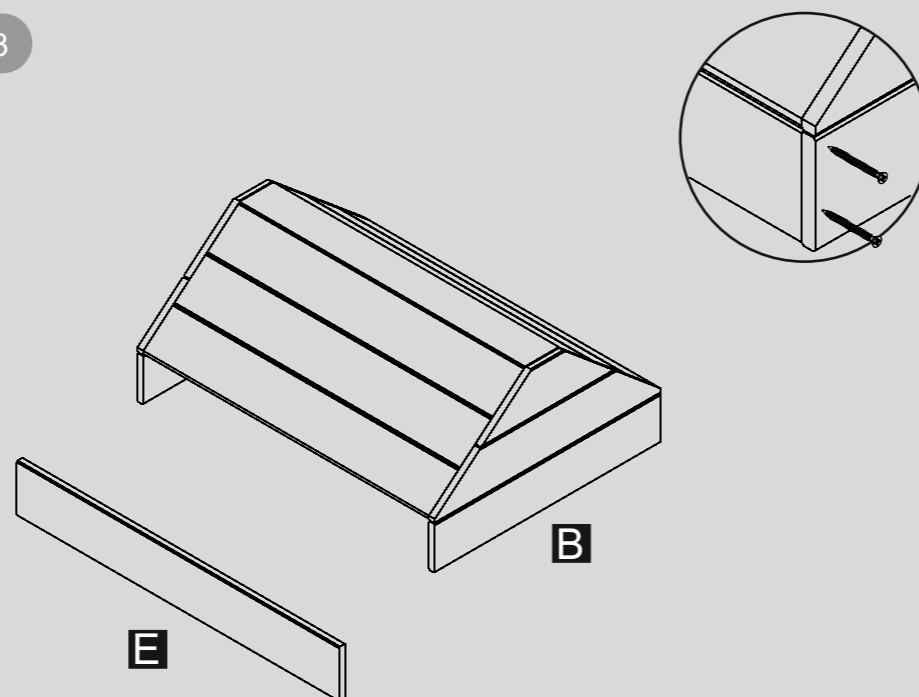


PRE - DRILL

Position the side sections so that they are flush with the edges of the end sections.

Fix the side in place by screwing through the end sections using 3 x 40mm screws for each board.

3

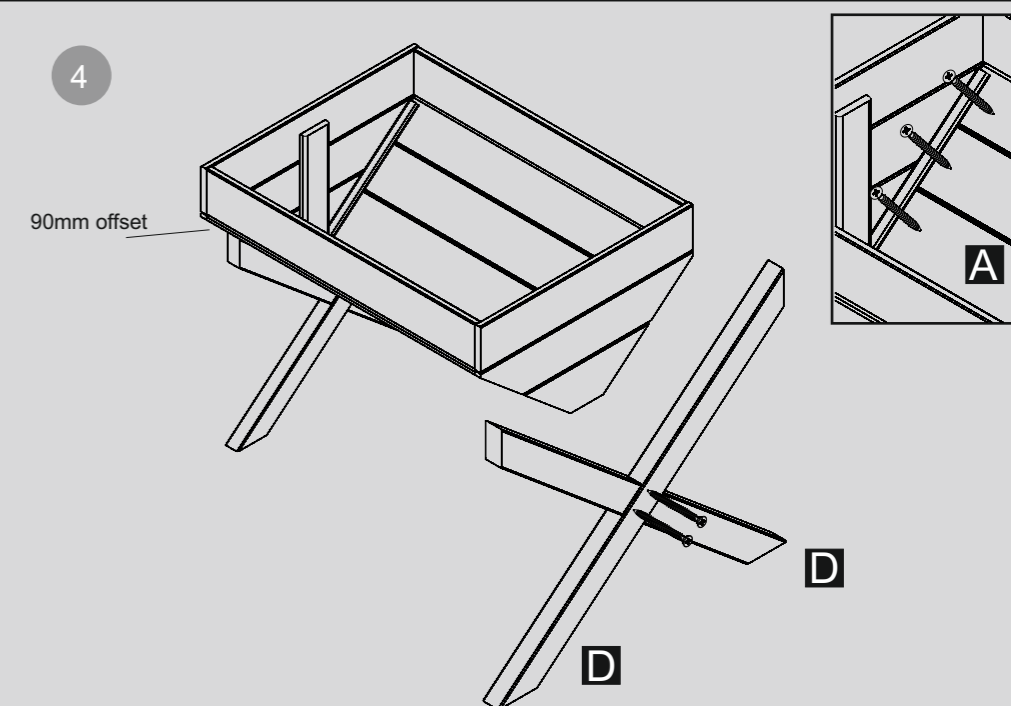


PRE - DRILL

Position the two remaining boards so that they butt up and are in line with the end sections.

Fix the boards in place screwing through the end section using 2 x 40mm screws for each end.

4



PRE - DRILL

Slot two of the legs together using the notches. Fix these in place using 2 x 40mm screws for each set.

Place the completed trough on to the legs with a 95mm offset from the end section. Secure in place screwing through the side section using 3 x 40mm screws for each leg as shown.

Position the completed trough before filling.