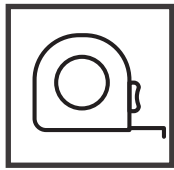


Making British gardens great

TALL CORNER LINEAR PLANTER

INSTRUCTIONS (1600x1600mm)

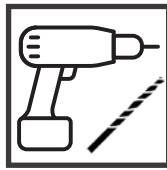
We recommend using the following tools (not supplied):



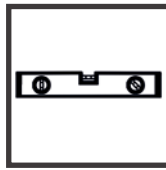
Tape Measure



Pozidrive
Screwdriver

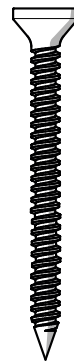


Drill & 2mm
Drill Bit

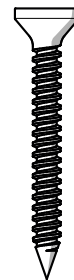


Spirit Level

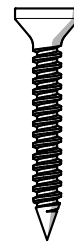
FIXING PACK CONTAINS:



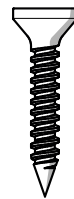
6 x 100mm Screws
QTY: 14



5 x 70mm Screws
QTY: 4



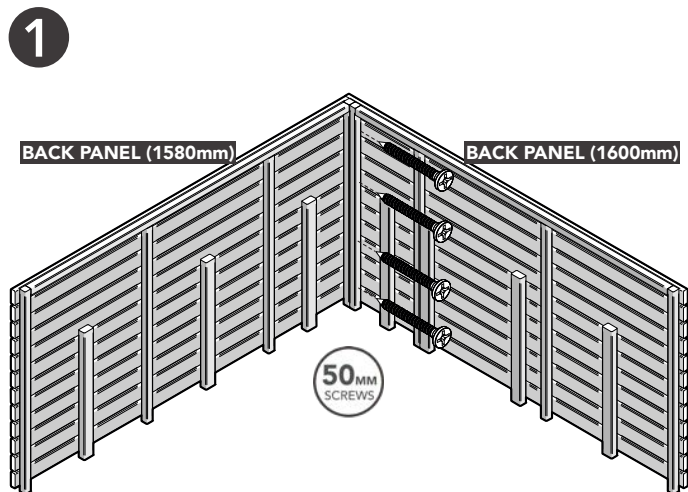
4 x 50mm Screws
QTY: 20



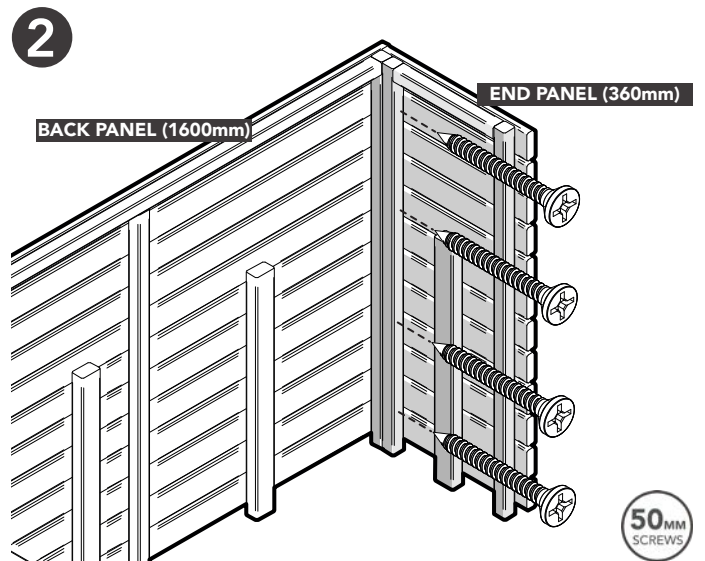
3.5 x 30mm Screws
QTY: 18

PLEASE KEEP PLASTIC BAGS AND SMALL PARTS AWAY FROM CHILDREN

FIXING PACK CODE: CORNLINPL160FP



Position the Back Panels in your desired location. Begin at the back corner and **secure the Back Panels together** as shown above.



Secure the first End Panel (360mm) to the Back Panel (1600mm).



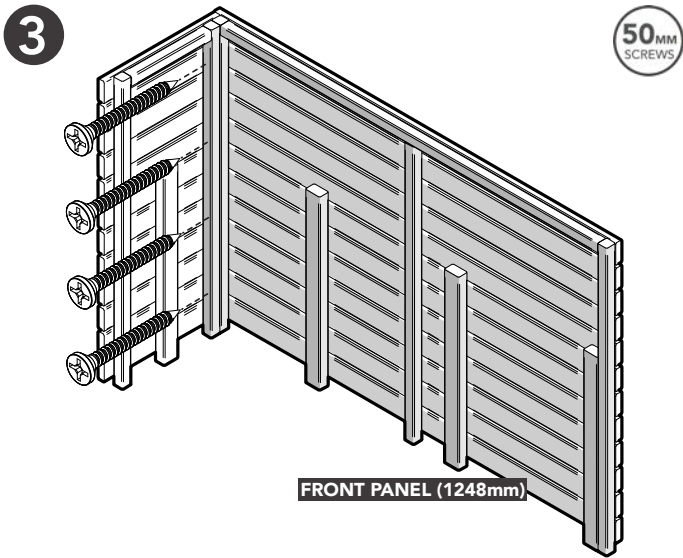
IMPORTANT
Assembly requires 2+
adults.



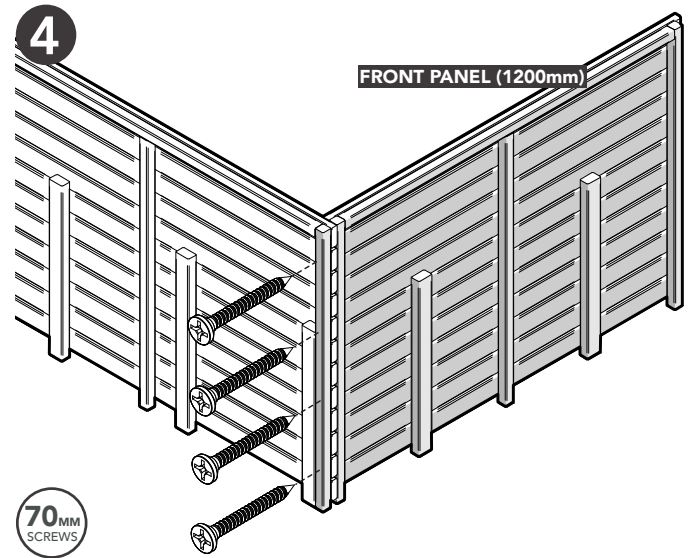
REMINDER
Always pre-drill before
screwing.

Missing something or need more information?
Call our aftersales team on
0333 321 3142

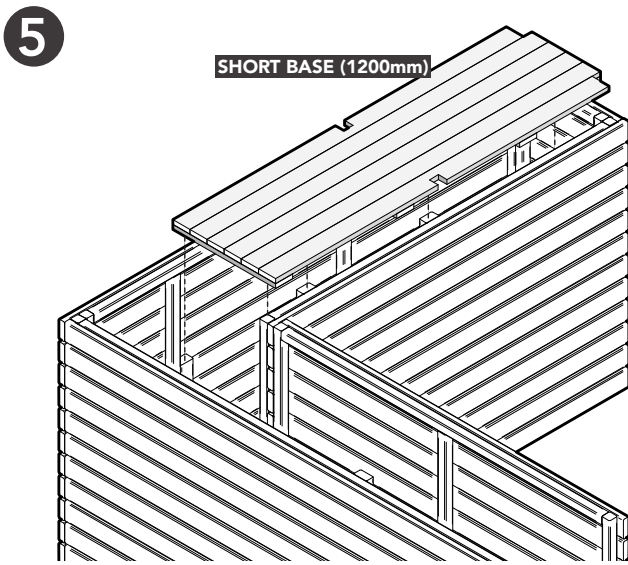
Visit our website for spare instructions and
more information
www.forestgarden.co.uk



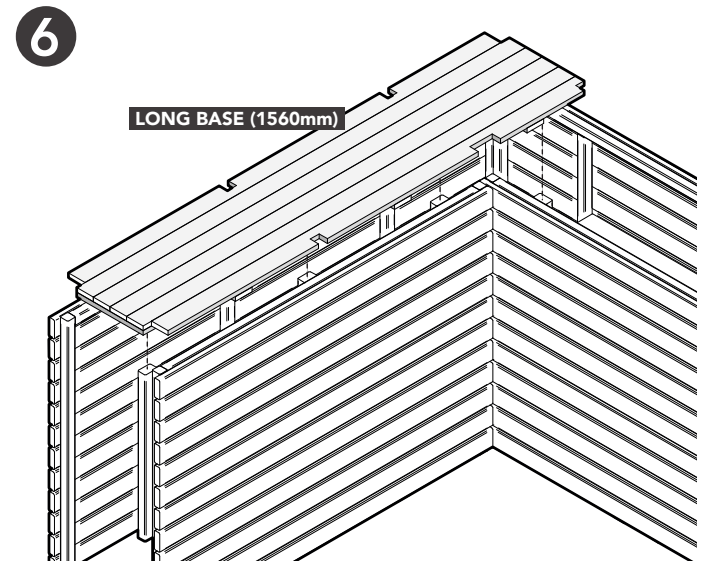
Secure the first Front Panel (1248mm) to the End Panel (360mm), using 50mm screws.



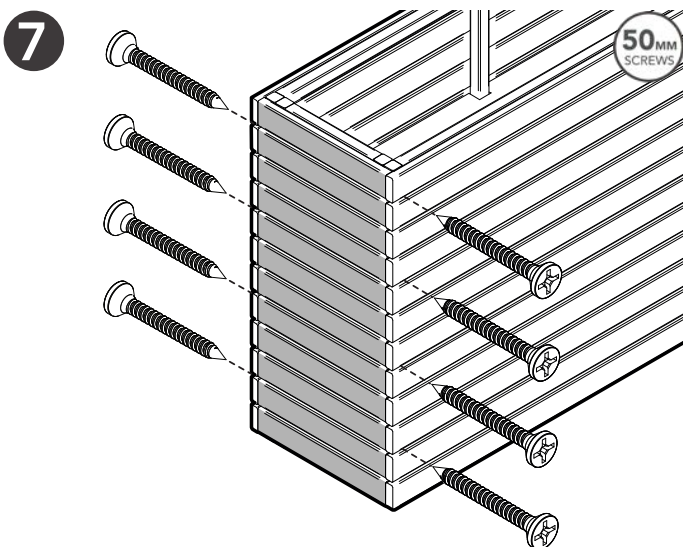
Secure the first Front Panel (1248mm) to the second Front Panel (1200mm), using 70mm screws.



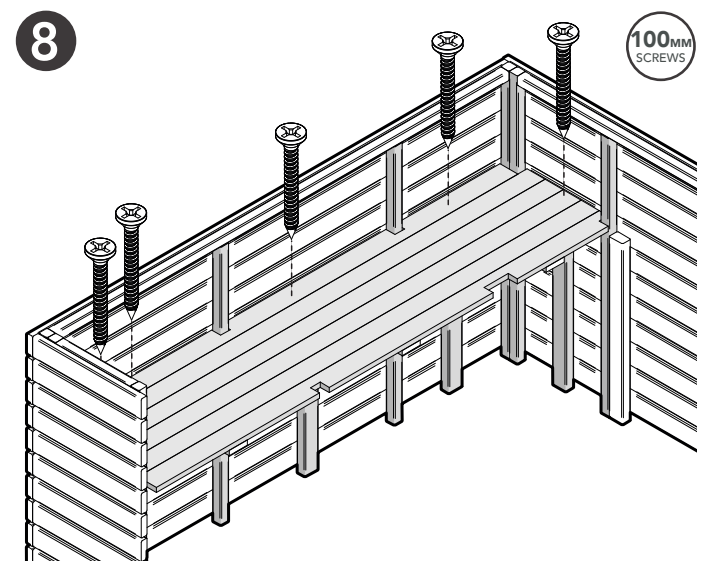
Insert the Short Base (1200mm) into the space provided. The Short Base will slot into the section with the End Panel attached.



Insert the Long Base (1560mm) into the space provided. The Long Base will butt up against the Short Base in the corner.

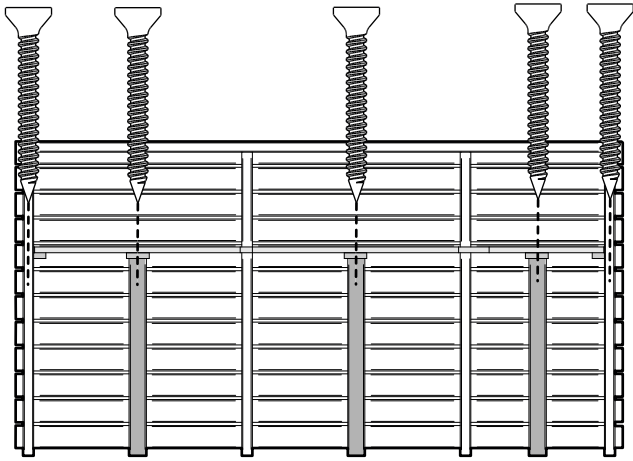


Secure the other End Panel (360mm) to the Front Panel and Back Panel, using 50mm screws. Screw in between the slats into the battens.



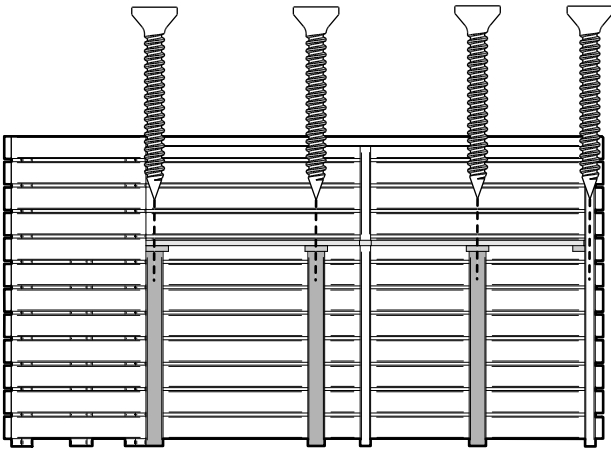
Fix the Long Base (1560mm) into place, by screwing into the battens beneath as shown above.

TOP TIP - MARK OUT WHERE EACH BATTEN IS LOCATED TO ENSURE YOU SCREW DIRECTLY INTO THEM ONCE THE BASE SITS ON TOP.

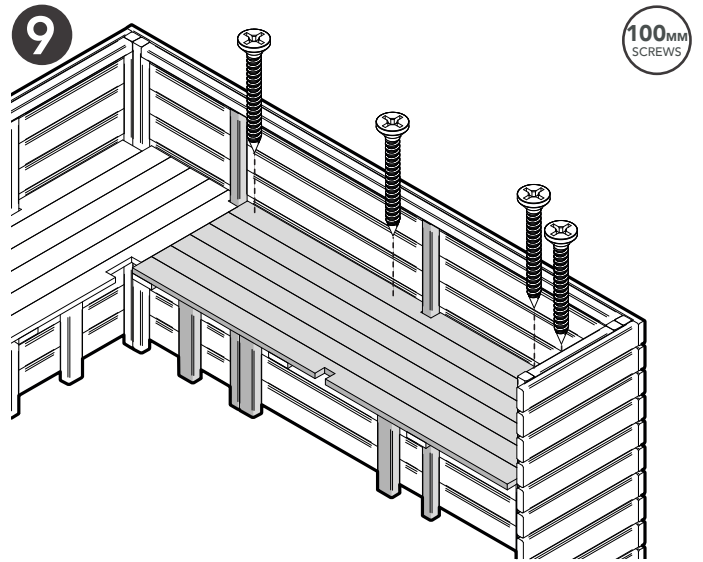


The Long Base (1560mm) will sit on top of the battens provided. The panel battens will sit into the base's notches.

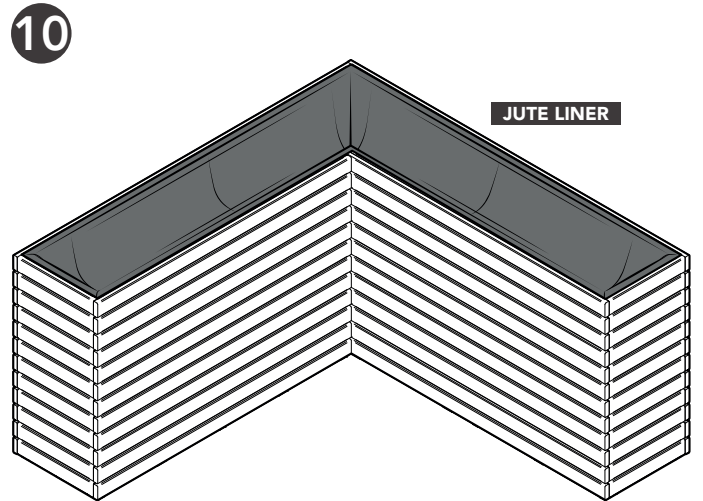
TOP TIP - MARK OUT WHERE EACH BATTEN IS LOCATED TO ENSURE YOU SCREW DIRECTLY INTO THEM ONCE THE BASE SITS ON TOP.



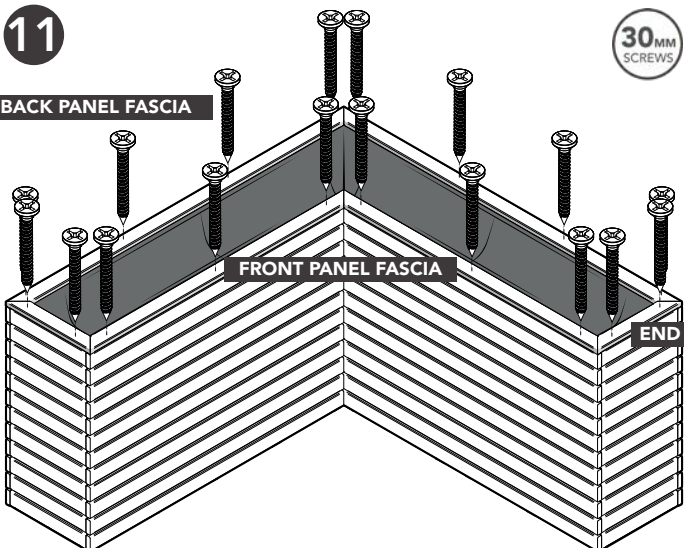
The Short Base (1200mm) will sit on top of the battens provided. The panel battens will sit into the base's notches.



Fix the Short Base (1200mm) into place, by screwing into the battens beneath as shown above.



Layout and position the Jute Liner material inside your planter. Overlap over the top edge and use the Fascias to hold into place.



Secure the Fascias to the Panels. Ensure the Jute Liner is held in position when screwing the Fascias into place.

CHECK & TIGHTEN ALL FIXINGS APPLIED TO THE PRODUCT ON A REGULAR BASIS

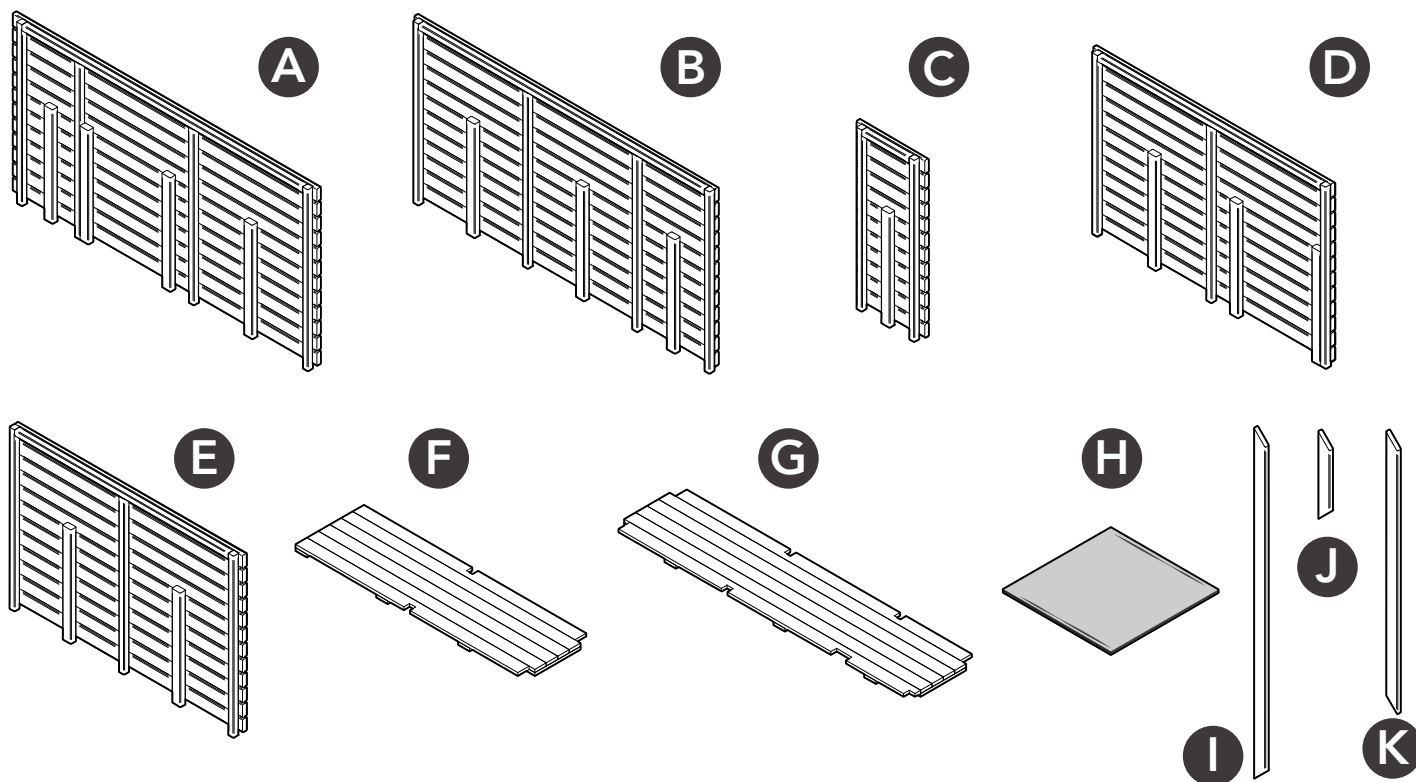
CHECK YOU HAVE ALL YOUR PARTS.

(The parts do not have codes on them. They are listed below should you need to order one.)

The components provided may be heavy. Please lift with caution and with a minimum of 2 people.

Tall Corner Linear Planter 1600x1600mm (CORNLINPL160)			
Label	Part Code	Description	No.
A	SPLP1600TCR	Back Panel 1600x828x48mm	1
B	SPLP1580TCR	Back Panel 1580x828x48mm	1
C	SPLP0360TCR	End Panel 360x828x48mm	2
D	SPLP1248TCR	Front Panel 1248x828x48mm	1
E	SPLP1200TCR	Front Panel 1200x828x48mm	1
F	SPFB1200	Short Base 1200x360x30mm	1
G	SPFB1560	Long Base 1560x360x30mm	1
H	JLINER160160	Jute Liner	1
I	60201600PAII45PT	Back Panel Fascia 1600x60x20mm	2
J	60200400PAII45PT	End Panel Fascia 400x60x20mm	2
K	60201260PAII45PT	Front Panel Fascia 1260x60x20mm	2

Use the labelled components to help identify the part code and description.



HEALTH & SAFETY

We strongly recommend that PPE (Personal Protective Equipment) is used throughout your build to ensure you are protected from any potential health and safety risks. **Do not exempt yourself from wearing PPE.**



TREATED TIMBER CONTAINING A BIOCIDAL PRODUCT CONTROL OF WOOD DESTROYING ORGANISMS

Active Ingredients - Propiconazole, Tebuconazole, IPBC, Permethrine, Benzyl-C12-16-Alkyldimethyl Chlorides. (Dip Treated)
Basic Copper Carbonate, DDA Carbonate, DDA Chloride. (Pressure Treated)

Wear gloves when handling. Avoid inhalation of sawdust. Do not use in contact with drinking water or food. Do not use for animal bedding or in fish ponds. Dispose of treated wood responsibly.