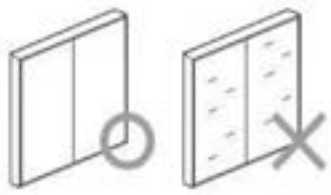



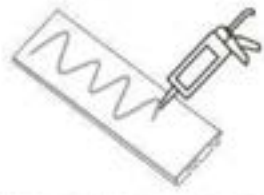
# INSTALLATION



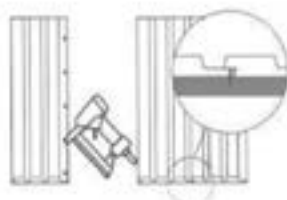
**1** Prep-work with plaster board or plywood is recommended before the construction. Please remove wallpapers on the walls before construction.




**2** Circular saw can be used for cutting.



**3** Apply adhesive on the back of wall panel.



**4** Wall panel can be installed in both horizontal and vertical direction. Apply air-tacker on the edge of the tongue to hide the pin-marks.



**5** For corner, combine the two grooves.



**6** Coordinating mouldings can be used for clean and nice finish.