



green range  
SAMPLING & IRRIGATION SYSTEMS

# ACCESSO®

## SAMPLING & DISTRIBUTION CHAMBER

MODEL: **ASDC300**

For use with 110/160mm EN 1401 uPVC pipe systems

### DESCRIPTION

This combined sampling and distribution chamber, is delivered to site as a one piece unit, ready to install with no assembly required. The chamber features a robust, impact resistant, rota moulded base, with the choice of 110mm and 160mm EN 1401 main pipe connections, as well as two further 110mm moulded spigots at 90°, at the base of the unit. These side outlets are for use as a Distribution Chamber. All pipe connections come with blind ends for cutting on site, as required.

### APPLICATIONS

**SAMPLING CHAMBER** - Installed after the outlet of a septic tank or sewage treatment plant, to allow necessary sampling, to check the quality of the discharge from the system before it enters the watercourse. The inlet of the sampling chamber must be a minimum of 150mm up from the base of the chamber and also protrude into the chamber a minimum 75mm, to facilitate a sampling vessel/cup (See opposite)

**DISTRIBUTION CHAMBER** - Provides for the distribution of pre - treated sewerage effluent from Septic Tanks. The chamber outlets when connected, will discharge effluent into and through a designed 'drainage field', of perforated pipes, which then percolates into the ground (See Fig 1 below)

### COMPLIANCE

- Building Regulations - H2 1.23
- Sampling of Septic Tanks and Wastewater Treatment Plants is a requirement of all UK Water Companies, and is included in the 'Consent to Discharge' issued by the Environment Agency

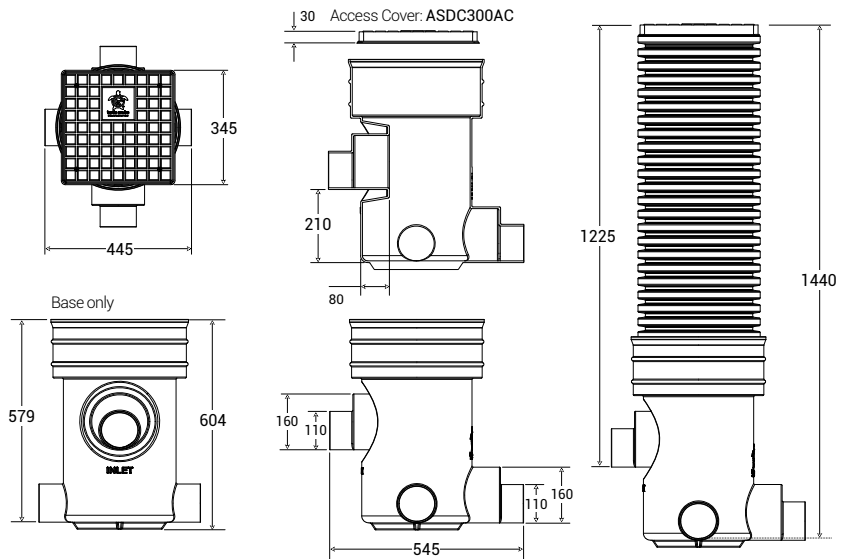
## DATA SHEET



Main image above shows ASDC300 working as a sampling chamber and smaller image shows the ASDC30015SP with 300ACS Access Cover fitted

### FEATURES & BENEFITS

- Single piece - Factory built unit
- Robust - Impact resistant rota moulded base
- Manufactured using chemical resistant plastic
- Lightweight - No machinery or lifting equipment required
- Quick and simple to install
- Option of 110 or 160mm EN 1401 connections on main inlet and outlet
- Meets all Water Company and Building Regulations
- Level invert outlet - (No Sump)
- Three 110mm outlets for distribution to drainage field
- Inlet has 210mm step from inlet to outlet sampling point
- 75mm internal throat for easier sampling
- Depths can be increased, if required
- Access shaft can easily be cut to required depth
- Lockable access cover provided
- Granular installation
- 60 year Design Life
- Manufactured in the UK



Product Code	Main Inlet & Outlet pipework Ø (mm)	Drainage Field Outlets Ø (mm)	Overall Depth (mm)	Depth to Invert (mm)	Depth to Outlet (mm)	Approx. Weight (kg)
<b>ASDC300B</b> (Base Only)	110 - 160	3 x 110	604	374	579	4.5
<b>ASDC30015SP</b>	110 - 160	3 x 110	1465	1225	1440	13

### ACCESS SHAFTS & COUPLERS

<b>300AS1</b>	1m extension access shaft	4
<b>300AS2</b>	2m extension access shaft	8
<b>300TC</b>	Coupling for extension shaft	2
<b>300SR</b>	Sealing rings for shaft coupling	0.5

### ACCESS COVERS

<b>300ACSR</b>	Square section lockable access cover- A15 loading	4
----------------	---	---

