



INSTALLATION GUIDE

COMPOSITE PEDESTRIAN GATE


ECOSCAPE[®] **UK**
www.ecoscape.co.uk | 0845 9011 988

CONTENTS

STORAGE AND HANDLING	03	REVERSING GATE HANDEDNESS	25
SAFETY AND USE	04	ADJUSTING THE LATCH	29
TOOLS	05	CLEANING AND CARE	33
COLOURS AND EFFECTS	06		
GATE COMPONENTS OVERVIEW	07		
GATE COMPONENTS	08		
ADDITIONAL COMPONENTS	10		
INSTALLATION METHODS	11		
GATE HANDEDNESS	12		
INSTALLATION	13		
INSTALLATION - ONTO COMPOSITE POST	14		
INSTALLATION - ONTO METAL POST	15		
INSTALLATION - KEEP INSTALLATION	26		
INSTALLATION - HINGE ADJUSTMENT	22		
REPLACING COMPOSITE INFILL BOARDS	24		

STORAGE & HANDLING

Whilst our composite materials are highly durable we do recommend you follow the below guidelines for storage, handling and installation, to ensure products are kept in the best possible condition.

STORAGE

- Materials should be stored under cover in shade, and protected from weather until ready to install.
- Materials should be covered and kept dry until ready to install to ensure a clean surface. Products should not be stored outside and / or covered with plastic sheeting.
- All composite products should be stored supported above the ground at 500mm intervals on a flat clean surface. Supporting battens used in storage should align through the stack to equally transfer the load.
- Fencing panels must be stacked on top of each other.
- Where multiple pallets are delivered these should not be stacked more than 2 pallets per stack.
- Ecoscape will not be held responsible for any issues that arise from poor storage.

HANDLING

- composite gates should be lifted and set down with care to avoid damage. Do not slide boards over one another.
 - Avoid sliding or dragging any equipment across the board surface to avoid tarnishing the surface.
 - The surface of the fencing boards should be kept free of construction debris and material to prevent damage to the boards.
 - Ecoscape composite gates can weigh up to 50kg. Appropriate manual handling processes should be followed.
- As with all sites, surfaces should be kept clean and tidy for the best installation outcome.

SAFETY & USE

Prior to installing any composite system we recommended that you consult local building regulations for any special requirements or restrictions that may apply. The illustrations and accompanying instructions in this guide are for illustrative purposes to provide a typical installation scenario, and do not replace the advice of a licensed professional in the field.

SAFETY

- Personal Protection Equipment (PPE) should be worn at all times (COSHH Assessment summary available). When cutting and installing boards it is advised to wear gloves, protective eye wear, a dust mask, long sleeves and trousers.
- Dry and windy environments may result in a naturally occurring static build-up in composite products. The level of static build up will not cause personal injury.

USE

- Standard tools can be used to install our composite fencing. When using a chop saw we would recommend a 60T+ Multipurpose Aluminium blade for maximum efficiency and neatness on cuts.
- Plan a layout for your fencing before starting to ensure the best looking layout is achieved.

TOOLS

RECOMMENDED TOOLS TO INSTALL ECOSCAPE COMPOSITE FENCING SYSTEM

Standard woodworking/fencing tools can be used when working with Ecoscape Pedestrian Gate and Fence system. If you are unsure on how to use any tool, please consult the tool manufacturer's user manual:

Tape measure

Electric drill and bit set (10mm & 15mm drill bits required)

Square

Pencil

Hex Key Set (3, 4 & 5mm required)

Protective eye wear and relevant Personal Protection Equipment (PPE)

Hand Screwdrivers (Pozi Drive + Flat head)

Packers, or Shims

Spade

Grafter

Stringline

Saw

Level

COLOURS AND EFFECTS

Ecoscape UK Composite Pedestrian Gate has a black powdercoated aluminium gate frame and black hardware, and is available in 3 colours, each in a range of 3 heights:

AVAILABLE COLOURS

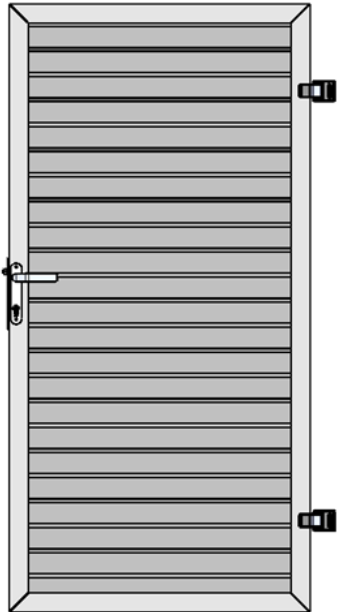


CHARCOAL

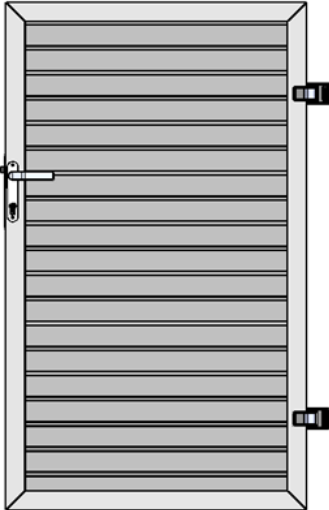
GRAPHITE

WALNUT

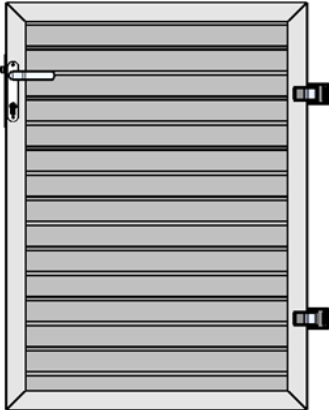
AVAILABLE SIZES



“6ft” – 1820 x 900mm



“5ft” – 1520 x 900mm

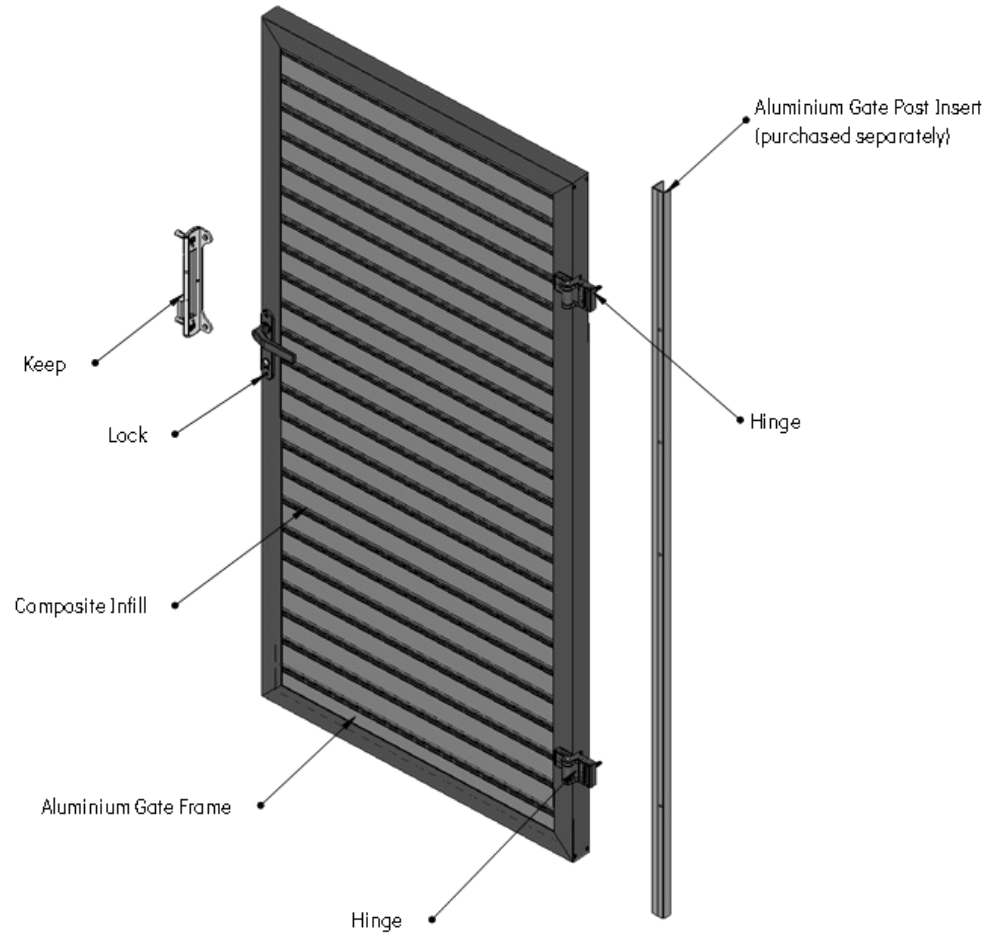


“4ft” – – 1220 x 900mm

Each gate is supplied pre-assembled with: hardware (lock, handle and hinges) attached.

GATE COMPONENTS OVERVIEW

The diagram below give an overview of the Ecoscpae UK pedestrian gate: components:



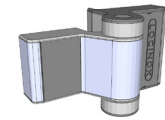
GATE COMPONENTS

Please ensure you are familiar with all components prior to installation.

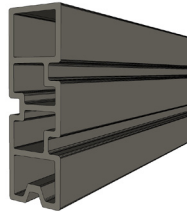
Composite Gate



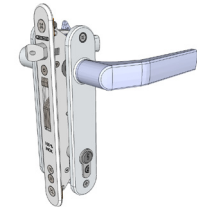
Locinox Puma Hinge



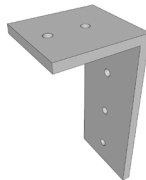
Composite Infill



Locinox Fortylock



Cleat



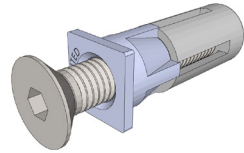
Locinox Keep



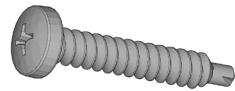
GATE COMPONENTS

Please ensure you are familiar with all components prior to installation.

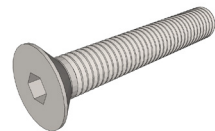
Quick-fix Bolt



Self-drilling screw (keep screw)



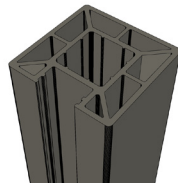
M8 Bolt



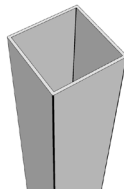
ADDITIONAL COMPONENTS

Additional Ecoscape UK components you may need to purchase to complete your gate installation:

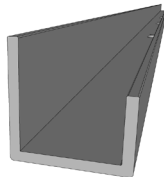
End Fence Post



Steel Insert



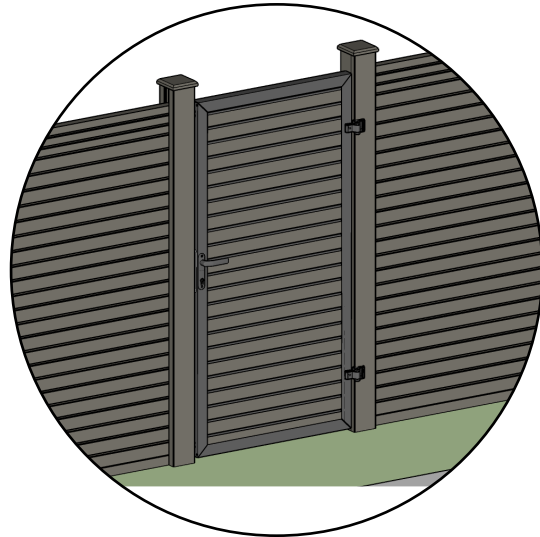
Aluminium Gate Post Insert
(ECOGCAI)



INSTALLATION METHODS

There are 2 main scenarios for installing Ecoscape Composite Gate:

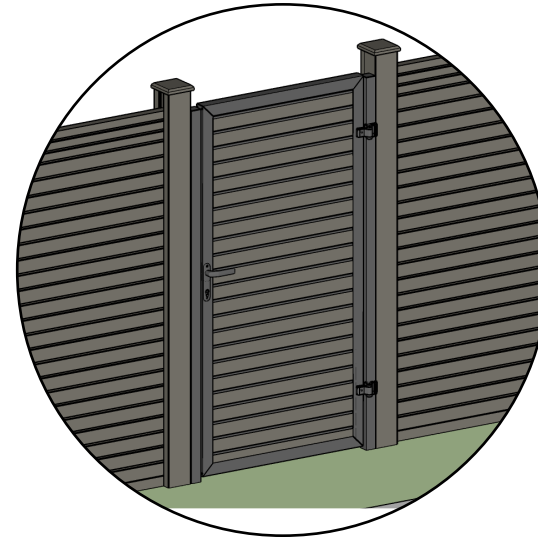
1.



Into Ecoscape Composite Posts

Please refer to page 12

2.



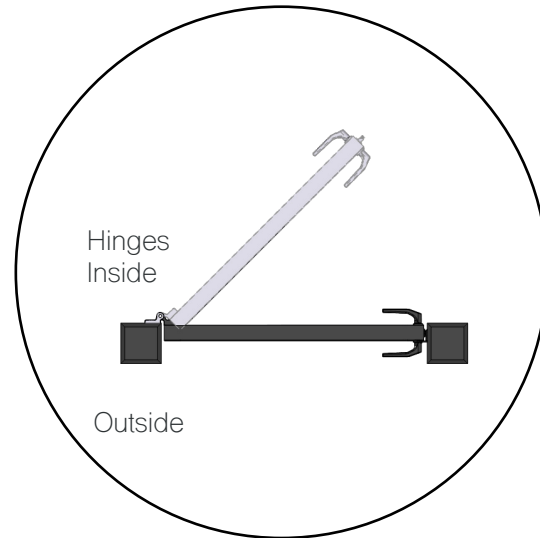
Into Metal Posts (Supplied by others)

Please refer to page 21

GATE HANDEDNESS

All Ecoscape UK Pedestrian Gates are supplied with Locinox Puma Hinges – which are surface mounted, and have an opening angle of 180°. As standard, all Ecoscape UK gates are supplied in a 'Left Hand Hinged' orientation. However, if required, the handedness of the gate can be reversed.

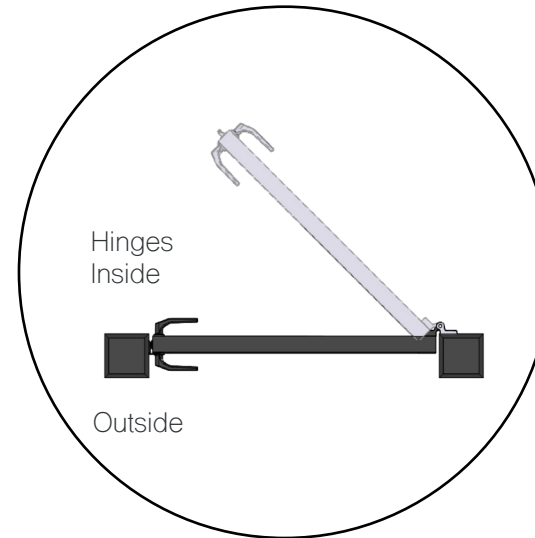
1.



Left Hand Hinged (Supplied as Standard)

From the secure side of the gate (outside), the gate is hinged on the left, opening inward.

2.



Right Hand Hinged

From the secure side of the gate (outside), the gate is hinged on the right, opening inward.

To achieve this orientation, the gate frame can be modified – Please refer to page 17

INSTALLATION

GATE POST SETTING OUT

- 1 In order to begin installation of Ecoscape UK composite gate you will need to have 2 gate posts installed. 1 post from which the gate hinges will be attached, and another to accept the keep.

For further information on how to install fence posts, please see 'Ecoscape UK Composite Fencing Installation Guide' (available at www.ecoscape.co.uk)

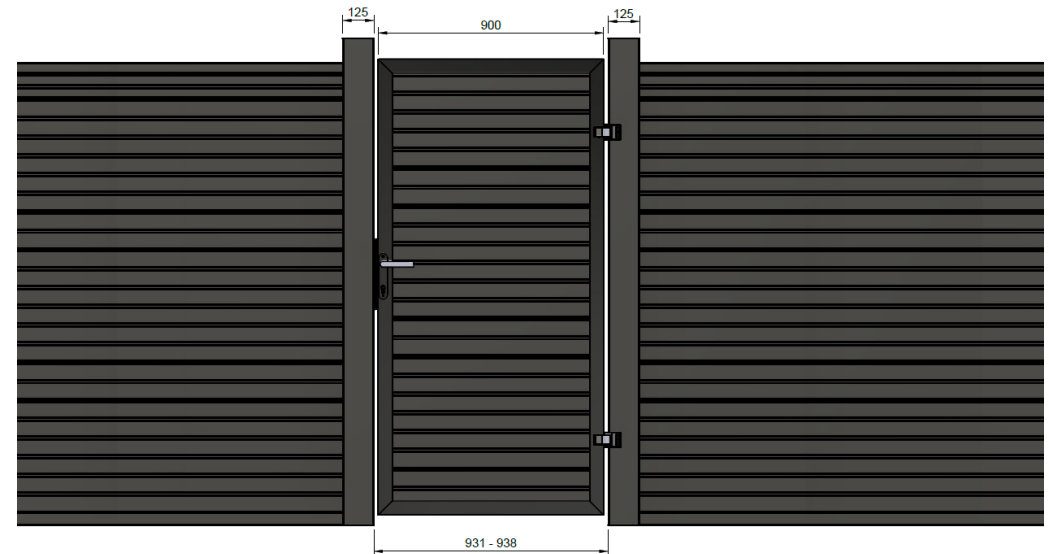
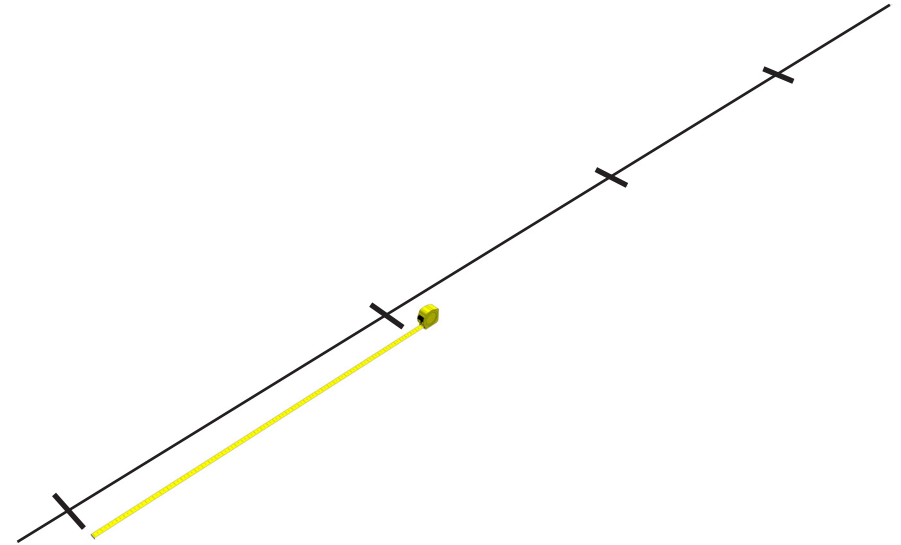
First the gateposts should be set with a distance between them of 935mm between posts.

N.B. The Ecoscape UK pedestrian gate is 900mm wide.

- 2 Ecoscape Composite gate hinges can be installed onto either:
 - Ecoscape Composite End Post (we recommend using gate post with steel insert to ensure the gate is adequately supported)
 - A metal post of at least 50 x 50mm (supplied by others)
 - If using a metal post, this should be suitable for exterior use, strong enough to carry the weight of the gate, and with a wall thickness of no more than 5mm).

If fixing an Ecoscape UK pedestrian gate directly into our composite fence system, you will need to use an 'End Post' either side of the gate. One from which to hang the gate, and one to fix the keep.

You will also need an 'Aluminium Gate Post Insert - ECOCGAI'.



INSTALLATION - COMPOSITE POST

PREPARE THE HINGE POST

- 1 When installing into a composite fence post, the gate hinges should ultimately fix into the flowdrilled and threaded holes in the gate post insert.

The gate post insert has 4no. M8 threaded holes, machined at the correct distance to accept the hinges for either a 6ft, 5ft, or 4ft pedestrian gate.

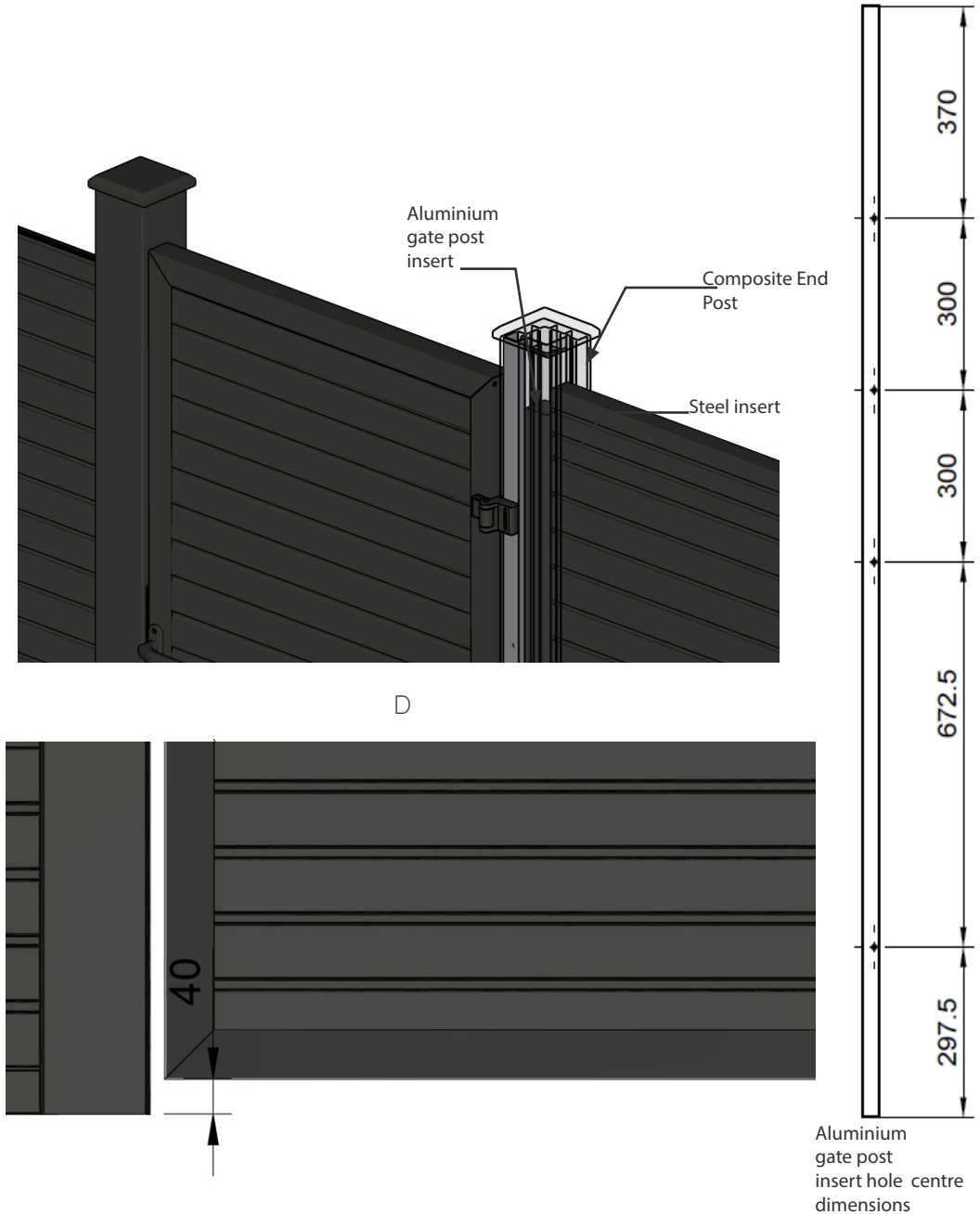
For standard Left hand hinged orientation, the Aluminium Gate Post Insert (ECOCGAI) should be inserted with the single hole toward the bottom of the post, and the 3 grouped holes in the upward position (see image on right of page).

- 2 In this orientation gate post insert is designed to sit flush with the bottom of the post:

The lower hole centre is 297.5mm from the end, and hinge hole centres for each gate are:

4ft: 672.5mm;
5ft: 972.5mm;
6ft: 1272.5mm.

In this position, and oriented as shown, the bottom of the gate will be approximately 40mm above ground level.



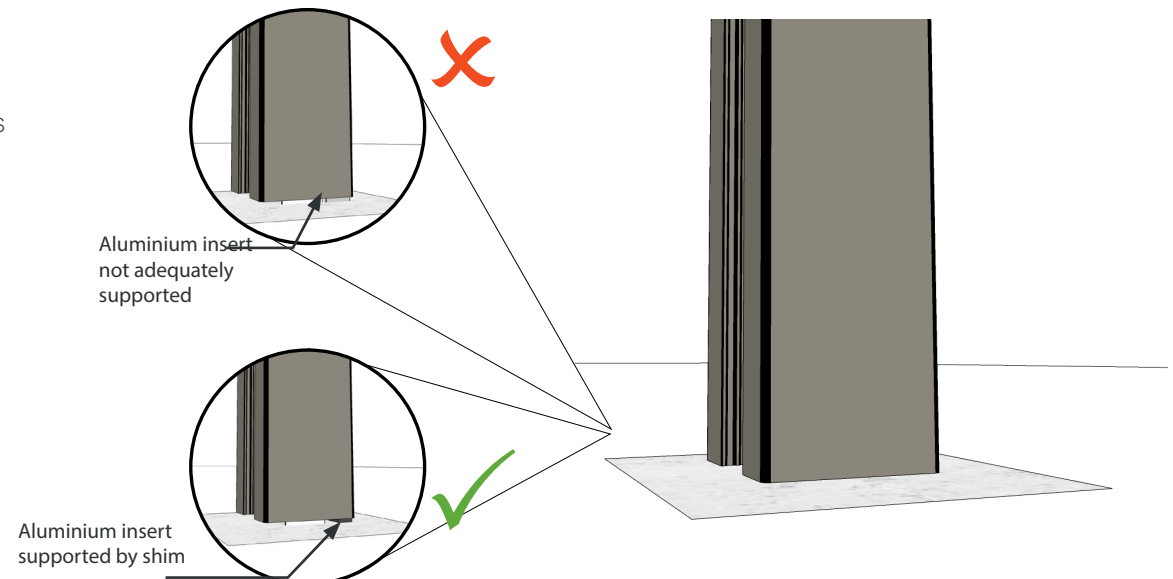
INSTALLATION - COMPOSITE POST

PREPARE THE HINGE POST

- 3 10mm clearance holes should be drilled into your composite end post that coincide with the position of the holes relating to the correct hinge centres for your chosen gate.



- 4 It is important to ensure that the Aluminium Gate Post Insert is adequately supported underneath. If the concrete pad surrounding your post is not level, it may be necessary to use shims or packers to ensure the insert does not drop when the gate is attached, as this may cause damage to the composite post.



INSTALLATION - COMPOSITE POST

HANGING THE GATE

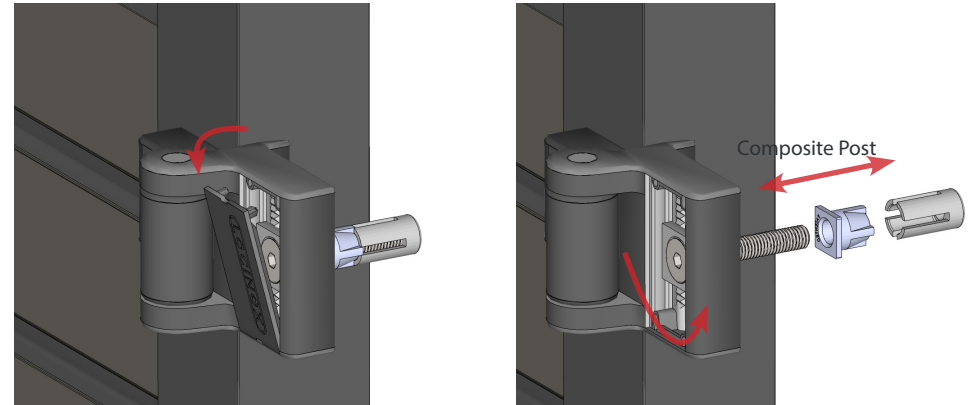
- 1 Once the Aluminium Gate Post Insert position has been set, and the composite post has been drilled with corresponding clearance holes, the M8 bolts can be inserted into the threaded holes in the gate post insert, and tightened.

To do so, you will first need to carefully remove the bolt cover caps from the hinges using a flathead screwdriver or similar.

Then loosen the bolt to remove, using a 5mm hex key to remove the expanding quick bolt cover to reveal the M8 bolt inside

Then, carefully position the gate so that the M8 bolts that attach to both top and bottom hinges are inserted into the threaded holes, ensuring that the gate is supported underneath.

- 2 The gate should be supported from below until both hinges are adequately fixed into the gate post insert. Once both bolts are tightened, the support can be removed from below the gate, and the coverplates can be clicked into place on the hinges.



Support gate from below until bolts are secure

INSTALLATION - METAL POST

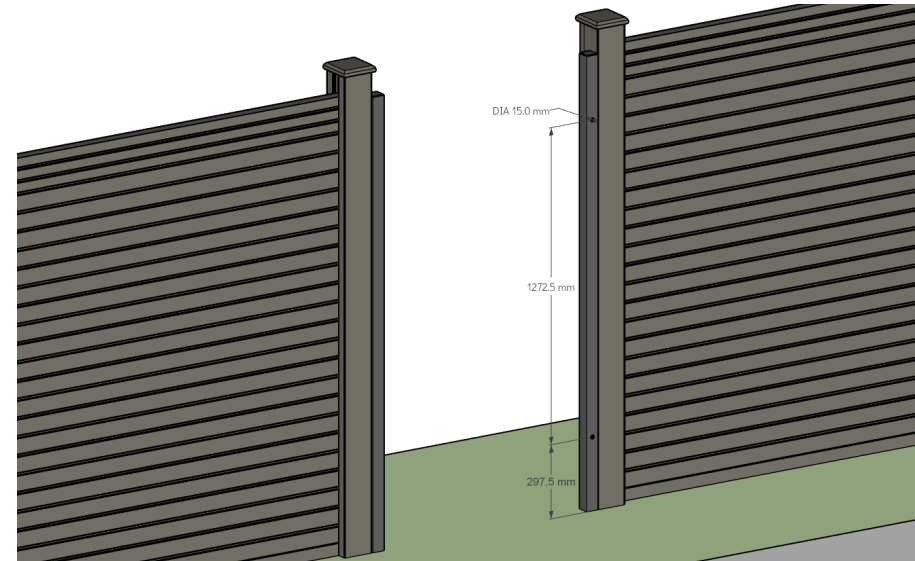
PREPARE THE POST

- 1 The gate can be fixed directly into square hollow section steel or aluminium posts, using the quick-fix bolts provided.

To do this, a pair of 15mm holes should be drilled to the face of the gate post 30mm in from the edge.

The optimal position for the centre of the lower hole is 297.5mm above ground level. Hinge hole centres for each gate are:
4ft: 672.5mm; 5ft:972.5mm; 6ft: 1272.5mm

N.B. It is important to use a post of sufficient strength to hold the weight of the gate. If fixing the gate into a metal post, you must use a post of dimensions of at least 50 x 50mm. The gate post should also be installed in such a way to adequately support the gate.

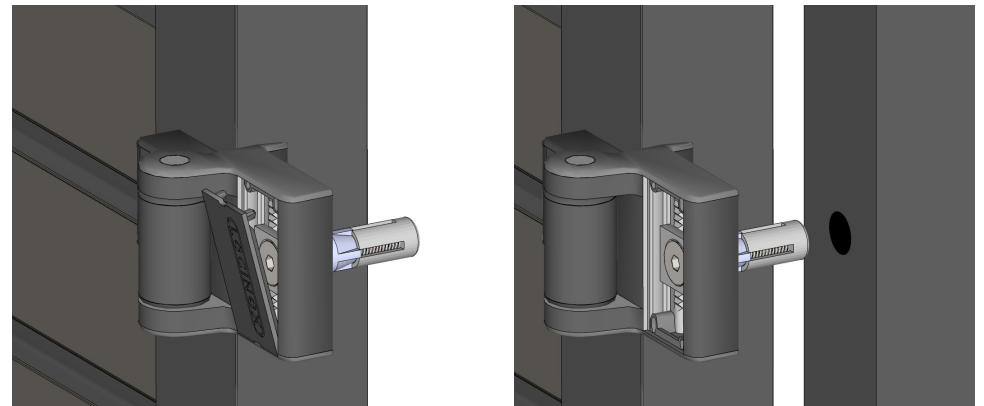


HANG THE GATE

- 1 Once the 15mm hinge holes have been drilled, the gate can be hung.

To do so, you will first need to carefully remove the bolt cover caps from the hinges using a flathead screwdriver or similar.

Then, carefully position the gate so that the quickbolt attached to both top and bottom hinges are inserted into the 15mm hole, ensuring that the gate is supported underneath.

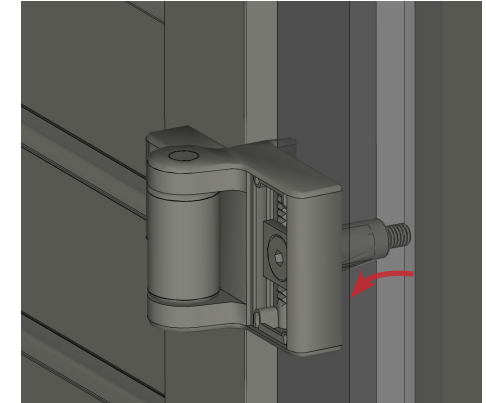
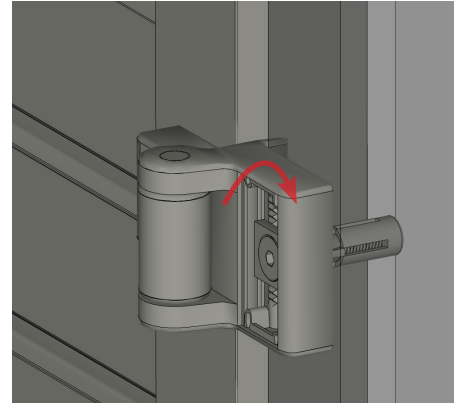


INSTALLATION - METAL POST

- 2 Once the gate is in position tighten the bolt using a 5mm hex key to turn clockwise the bolt clockwise. This will engage the quickbolt, which will clamp against the wall of the metal post and expand to fix the hinge to the post.

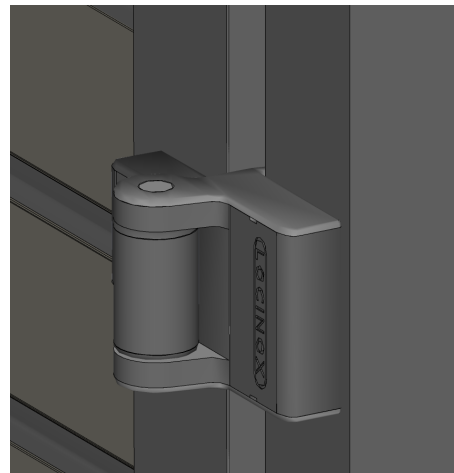
Ensure gate is supported until quick fix bolts are fully tightened.

Please Note: Once inserted and tightened, the quickbolt cannot be removed from the hole. Removing the M8 bolt will leave behind the threaded insert which remains fixed into the hole.



- 3 Adjust the hinge as necessary (see page. 21 for more details).

Replace the hinge cover cap.



INSTALLATION - KEEP INSTALLATION

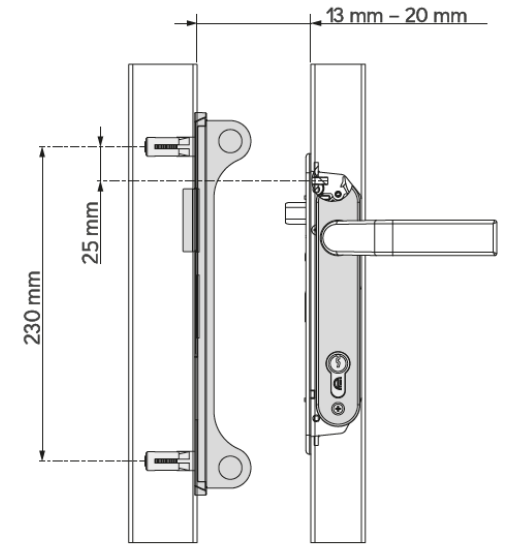
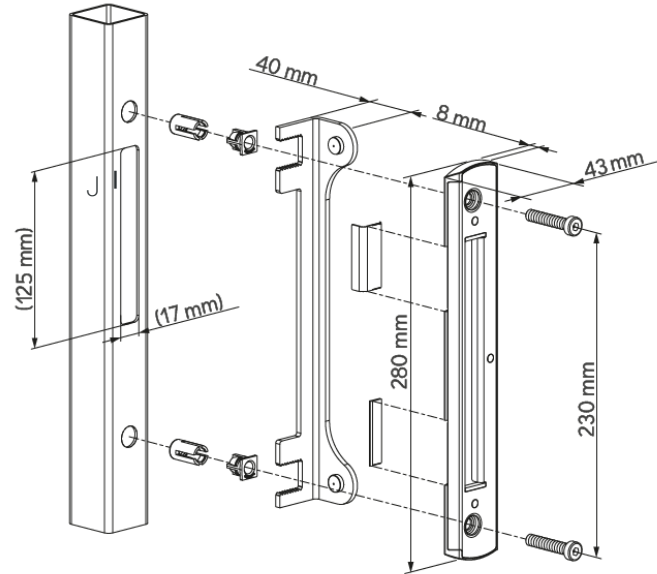
PREPARE THE POST

- Fixing of the keep into a composite post should be done in the position as shown.

The composite post should be prepared by drilling 2no. pilot holes to take the screws, and by machining a slot to accept the night latch (when the gate is locked).

Pilot holes should be drilled with a 5mm drill bit, at 230mm centres.

Recommended machining for latch: rectangular slot: 125 x 18mm placed 25mm below the upper screw hole.



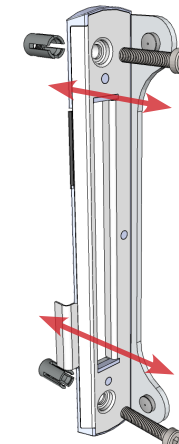
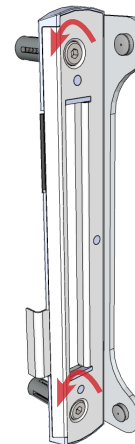
Recommended Fixings	
Ø15 mm	
Metal Post	
Ø5 mm	
Composite	

INSTALLING THE KEEP INTO COMPOSITE

- When fixing into composite, do NOT use the pre-assembled quick-fix bolts.

These can be removed by loosening the bolt and removing the bolts.

Once removed, the self-drilling screws supplied with the bag can be used to fix the kep into your composite post.



INSTALLATION - KEEP INSTALLATION

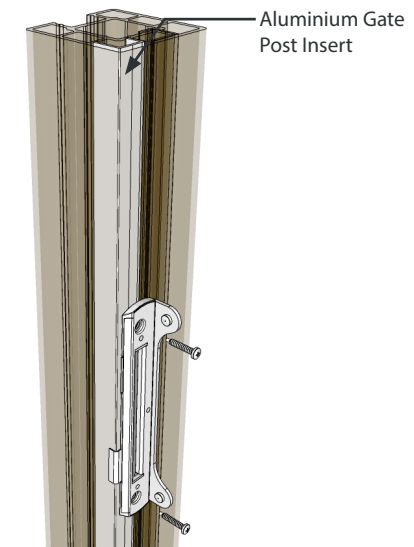
INSTALLING THE KEEP INTO COMPOSITE

- 2 The keep can now be screwed into to the composite post, using the self drilling screws provided.



- 3 Where additional security is required, it is advisable to purchase an additional aluminium gate post insert, into which the self-drilling screws can be fixed.

Follow steps above, but first place the aluminium gate post insert inside the composite post, and proceed to screw into the aluminium insert also.



INSTALLATION - KEEP INTO METAL POST

INSTALLING THE KEEP INTO METAL POST

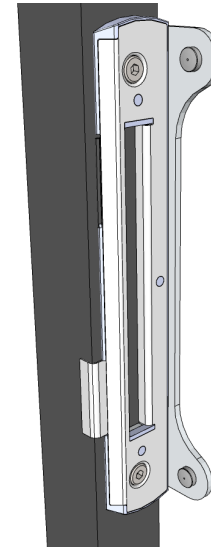
- 1 If fixing the keep into a metal post, it is advisable to use the quick-fix bolts supplied.

This must be at least 50 x 50mm, with a wall thickness no more than 5mm.

The quick-fix bolts will require 15mm diameter holes to be drilled into the metal to accept the expanding quick fix bolt (See page 18).

Tighten bolts using a 5mm hex key until the quick fix bolt clamps to the post wall and the keep is secure.

Please Note: Once inserted and tightened, the quickbolt cannot be removed from the hole. Removing the M8 bolt will leave behind the threaded insert which remains fixed into the hole.



INSTALLATION - HINGE ADJUSTMENT

The Locinox Puma Hinges supplied with your gate can be adjusted up to 5mm in each direction.

Vertical adjustment can be made using the post side portion of the hinge.

Horizontal adjustment can be made using the gate side hinge.

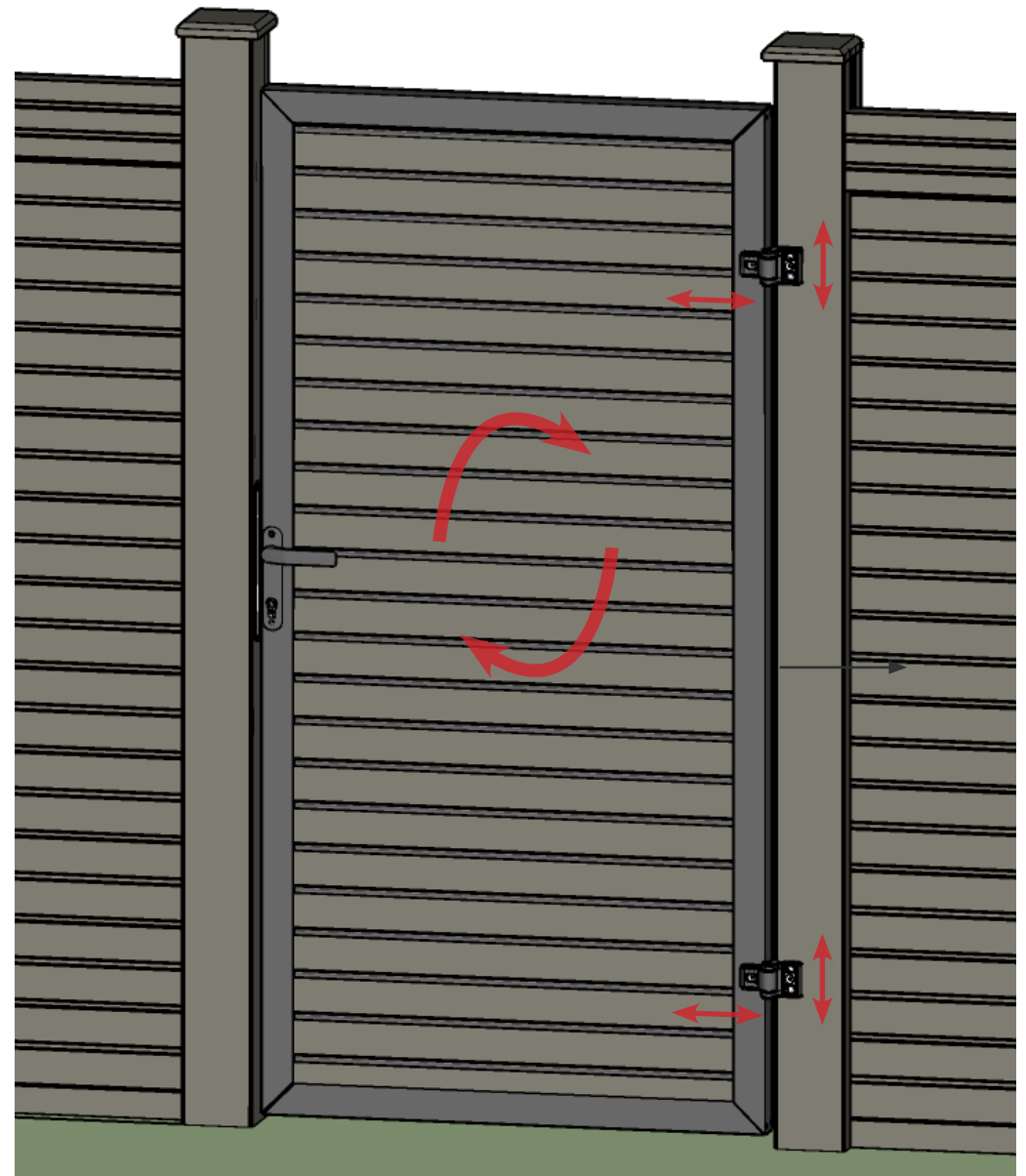
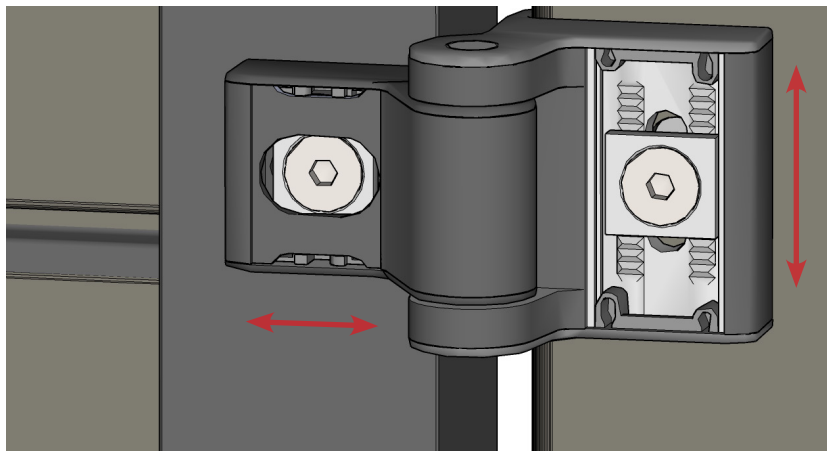
In order to make adjustments, first slightly loosen the hinge so the grooved adjustment plates can slide past one another.

Rotational adjustment can be made by adjusting the upper hinge relative to the lower hinge.

For example - in the image shown:

Adjust the upper hinge to the right, and the lower hinge to the left, to rotate the gate in a clockwise direction.

After adjustment has been made, tighten all bolts, and replace all cover caps.



REPLACING COMPOSITE BOARDS

REMOVE GATE FRAME UPRIGHT

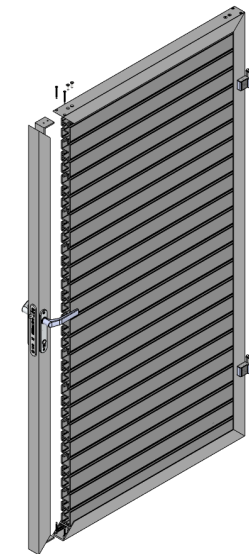
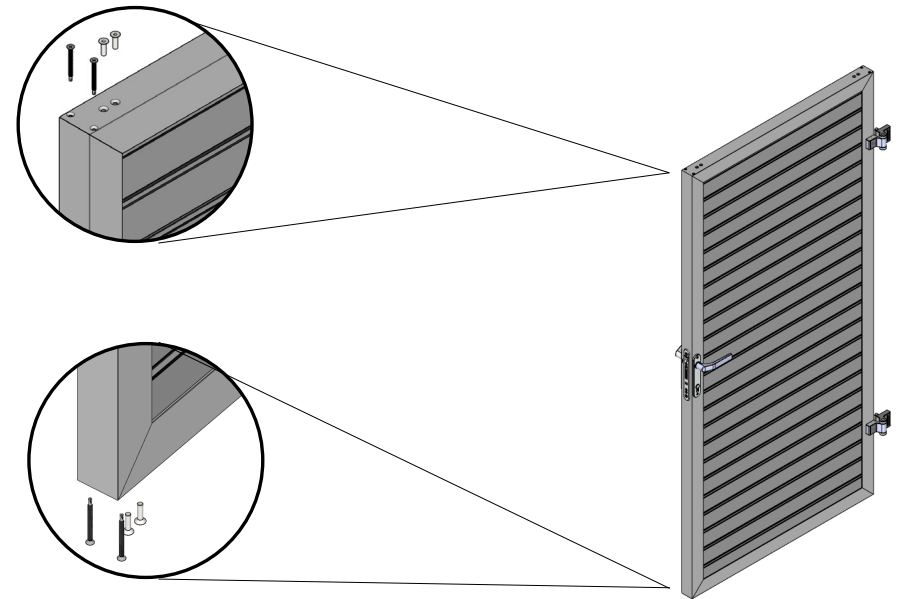
- 1 It may be necessary to replace the composite infill boards in your gate. For example if you wish to change the orientation of the boards to match the pattern of your fence, or if a composite board becomes damaged.

First, if your gate is hung, you should first remove the gate from the hinges, and lay it down.

The upright member of the gate frame which contains the lock can then be removed by first removing the countersunk alignment screws using a pozidrive screwdriver, and then using a 4mm hex key to remove the countersunk bolts.

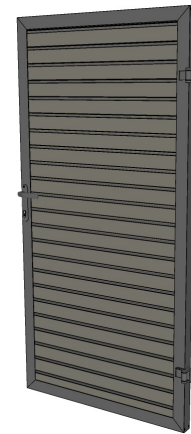
Remove bolts from top and bottom of the gate frame upright.

- 2 The upright member of the gate frame which contains the lock can now be removed from the rest of the gate frame.

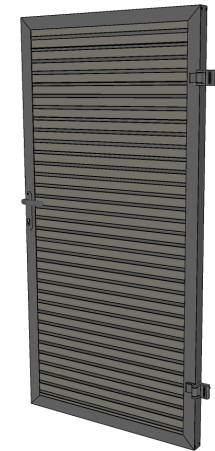


REPLACING COMPOSITE BOARDS

- 3 The composite infill panels in the gate can now be replaced, or reversed as required.



Left: Composite infill in standard orientation, with wide batten toward hinge side.

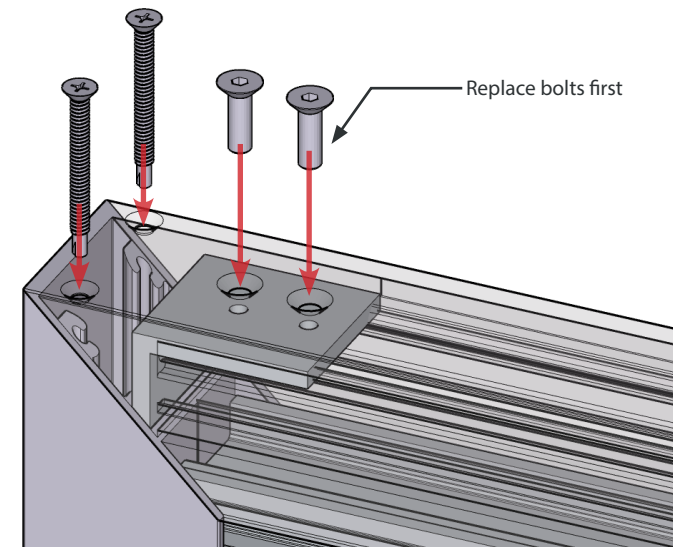


Right: Composite infill reversed to show narrow battens toward hinge side.

- 4 The gate frame upright can now be replaced.

First replace the gate frame, ensuring the bolt holes in the cleat aligns with the holes in the gate frame top and bottom members.

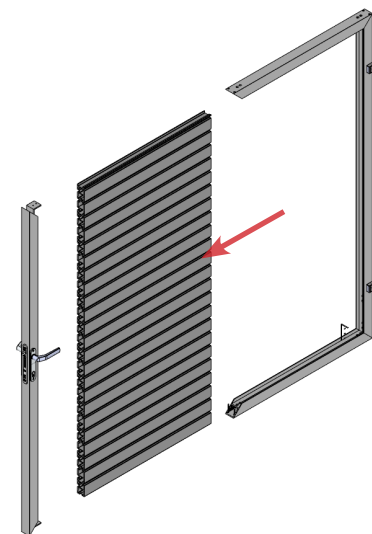
Tighten the bolts, then replace and tighten the screws.



REVERSING GATE HANDEDNESS

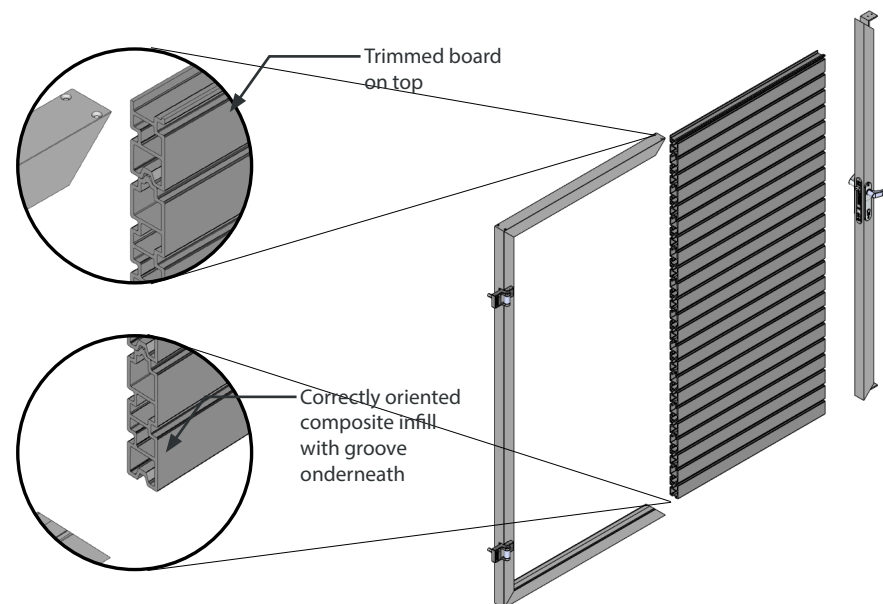
- 1 In order to reverse the handedness of a gate – First, follow Steps 1 and 2 from (replacing a composite board) to remove the lock-side upright from the gate frame.

To reverse the handedness of the gate, remove all the composite infill panels.



- 2 Next, replace the into the gate frame composite infills in the opposite orientation, ensuring that the bottom of the infill boards are oriented such that the gate will appear as 'Right hand hinged' when oriented correctly.

Ensure that the trimmed composite infill board is stacked so it will be at the top of the boards when the gate is hung.



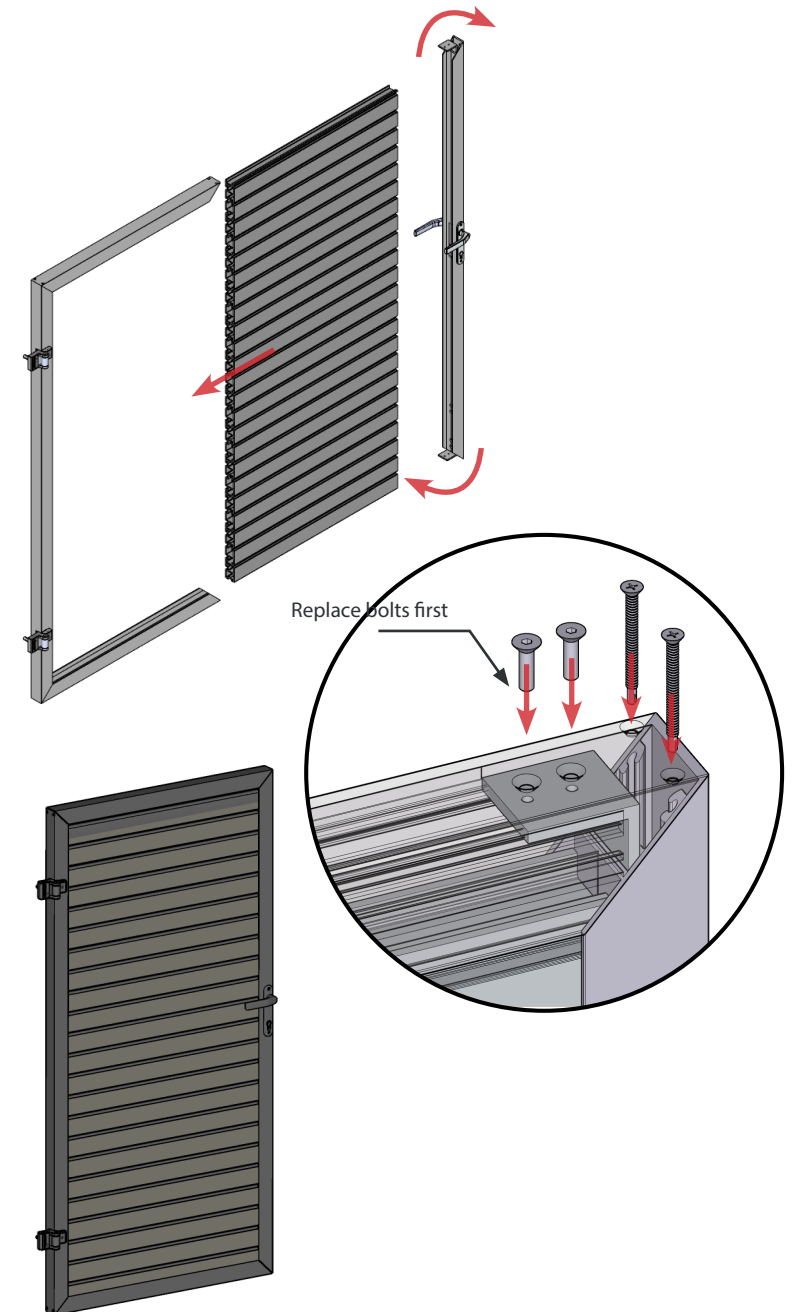
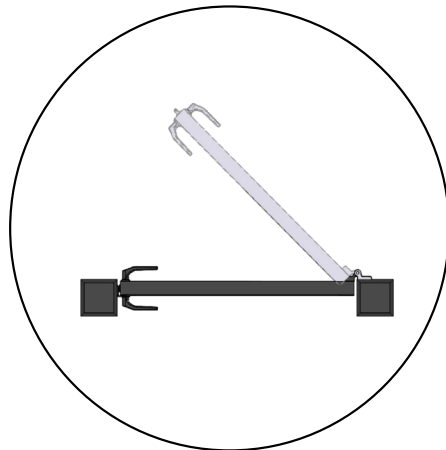
REVERSING GATE HANDEDNESS

REMOVE

- 3 Flip the lock side upright end on end, so that the bottom of the lock is now facing the opposite direction.

Replace the gate post upright, ensuring to replace the bolts first, then replacing the screws.

- 4 Your gate will now be in the correct configuration to be 'Right Hand Hinged':



REVERSING GATE HANDEDNESS - COMPOSITE POST

- 5 If you have reversed your gate handedness to 'Right Hand Hinged' and you wish to fix your gate to a composite post, you will need to turn the aluminium gate post insert upside down.

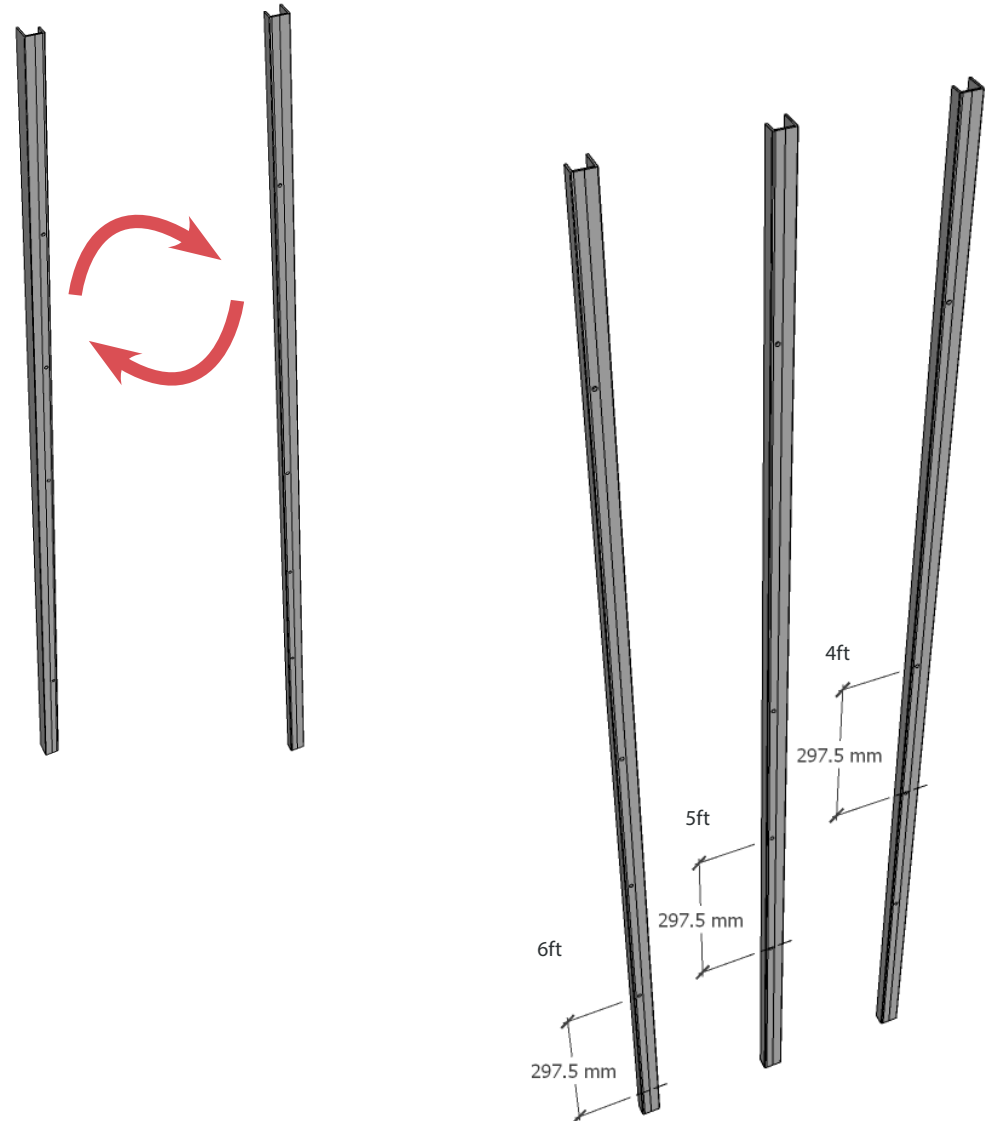
The insert will then need to be cut to ensure the hinges are in the correct position.

The aluminium can be cut with a mitre saw using a blade suitable for aluminium.

- 6 If you are fitting a 6ft gate, the cut should be made at 297.5mm from the centre of the lowermost pre-drilled hole. For a 4ft or 5ft gate, you may also need to cut the aluminium gate post insert to size if it protrudes above your chosen gatepost.

For 5ft gates and, the measurement for cutting should be made into the next hole up from the bottom.

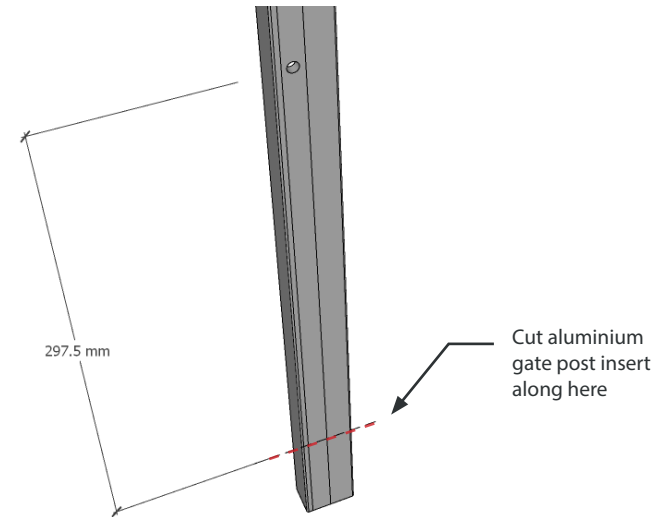
For 4ft gates the measurement for cutting should be made into the next hole up again.



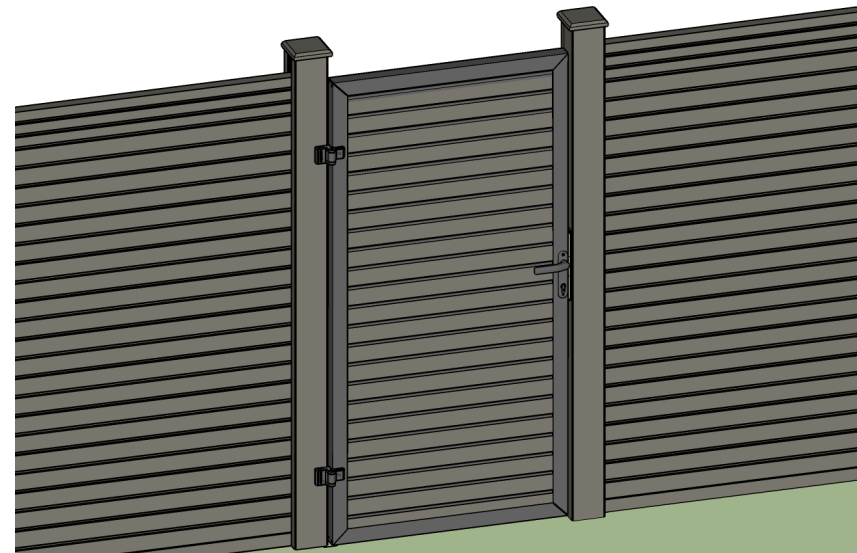
REVERSING GATE HANDEDNESS - COMPOSITE POST

- 5 Mark the aluminium gate post insert in order to make a cut hole required is positioned 297.5mm from the mark.

The aluminium gate post insert should be cut square along this line.



- 6 The gate can now be fitted in 'Right Hand Hinged' orientation by following the steps for 'Installation - Composite Post' - see Page 13



ADJUSTING THE LATCH

ADJUST THE LENGTH OF THE LATCH

- 1 The length of the latch on the gate can be adjusted as necessary by rotating inserting a 3mm hex key into the hole in the latch.

Rotating clockwise will extend the latch.

Rotating anticlockwise will cause the latch to retreat.

The length of the latch can be extended up to 10mm to suit your installation scenario.



ADJUSTING THE LATCH

ADJUST THE DIRECTION OF THE LATCH

- 1 In order to reverse the direction of the day latch, first follow Step 1 above turning a hex key clockwise to extend the latch to its maximum extent.

Next, use a 5mm hex key to remove the 2 bolts connecting the latch faceplate, as shown.



- 2 The face plate can then be removed, and the the latch rotated to the required position.



ADJUSTING THE LATCH

ADJUST THE DIRECTION OF THE LATCH

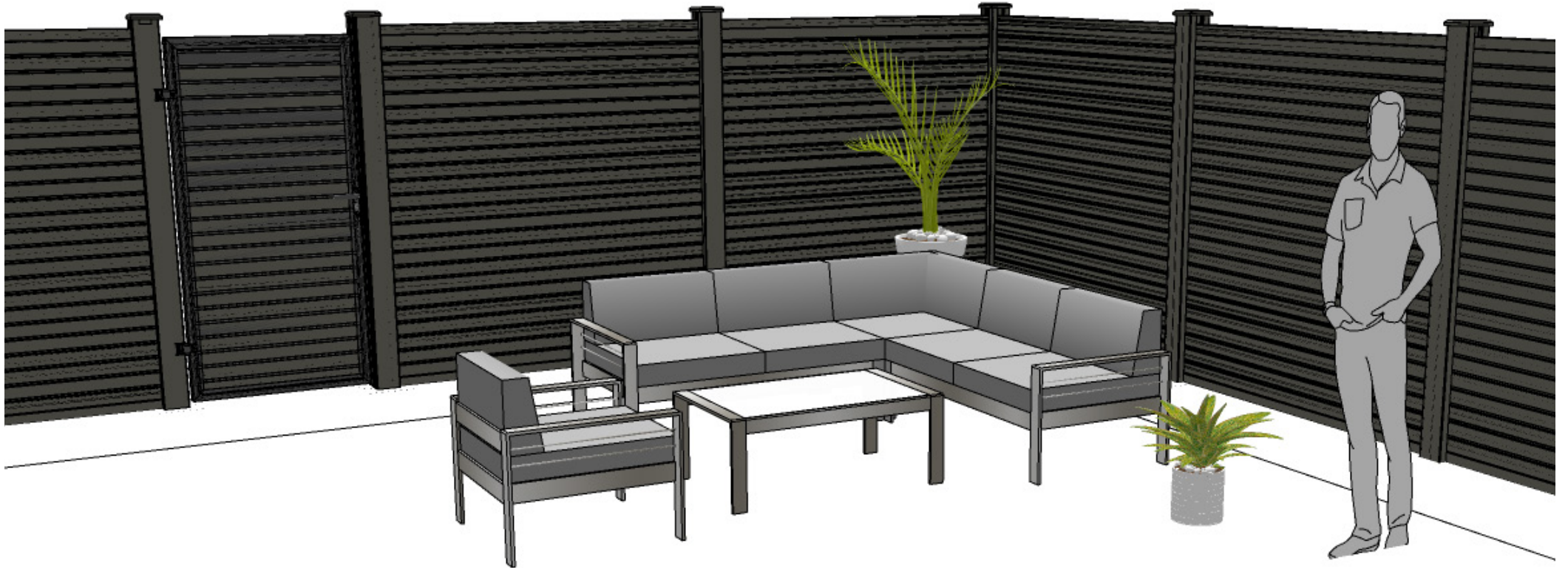
- 3 With the latch in the required position, the faceplate can be replaced, and the bolts tightened.

Finally, the latch length can be reverted to the required position using rotation of a hex key inserted into the latch (please see Page 28)



INSTALLATION - COMPLETE

Enjoy your new composite gate!



CLEANING AND CARE

ECOSCAPE gate composite infill boards will require periodic maintenance to remove the build up of dirt and debris. We recommend the fencing is cleaned once or twice a year using either:

- A high pressure cleaner (Jet wash) with a fan shaped beam at a distance of at least 20cm in a lengthwise direction, or;
- Scrubbing brush with a all-purpose cleaner and water

Burn marks, from BBQ's or similar can also be removed using a coarse piece of sandpaper (80gsm or similar), by rubbing the composite gate infill boards length-ways gently.

The powdercoated aluminium gate frame can be cleaned with a soft cloth using warm water and detergent.

A touch up pen (RAL 9005 Black) can be used to repair any scuffs / scratches that may appear on the aluminium gate frame.

Higher Broadfield Farm,
Off Pilsworth Road,
Greater Manchester, OL10 2TA
T: 0845 9011 988

E: sales@ecoscapeuk.co.uk
www.ecoscapeuk.co.uk
2022

